

Assembly and operating manual

PRIODOOR EVX

Attachment doors

Last updated: 11/2018

EP.V.6677EN-2

Dear customer,

Thank you for purchasing a high-quality PRIORIT product.

To ensure we can guarantee that the entire system will function free from errors, please carefully observe the following operating manual.

Failure to observe this manual will void any warranty guarantees.

We expressly reserve the right to make technical changes for the purpose of improving our product, or as required by changes to the law – including without any separate notification.

This operating / assembly manual may not be reprinted or duplicated in whole or in part without the written approval of PRIORIT AG.

PRIORIT AG

63457 Hanau

Tel.: 06181 3640-0, Fax: 06181 3640-210,

E-mail : info@priorit.de , www.priorit.de

Contents

Contents	3
Important notes.....	4
Inspection on acceptance by recipient	6
Unpacking.....	6
Interim storage.....	6
Key facts at a glance	6
Building material/Surface.....	7
Opening and closing.....	7
Assembly manual – Preliminary remarks	8
Assembly manual – Scope of delivery	12
Assembly manual – Dimensions and wall distance	13
Assembly manual – Frame assembly	14
Assembly manual – Marking the drill holes	15
Assembly manual – Wall fastening	16
Assembly manual – Applying the sealing compound.....	16
Fastening on the wall.....	17
Table frame dowels and screws.....	17
Assembly manual - Inserting the door leaves	17
Notes	18

Important notes



The product must be installed and fitted flush and level!



When storing the product, do not put loads on the corners and cover the storage area with soft material beforehand, e.g. with a packing blanket!

General safety information

- The operating / assembly manual have been prepared conscientiously. Possible printing errors or missing information do not entitle to complaints.
- We reserve the right to make technical changes.
- Observe the relevant VDE regulations.
- Observe the requirements of the fire authorities.
- Observe the general building law and the building regulations.
- Observe the accident prevention guidelines and the workplace directive.
- Instructions given by the technical supervisory service must be followed.
- Observe the structural usability certificate.
- Only use products that are in proper working order.
- This operating / assembly manual must always be stored at the location where the product will be used.
- Legally required safety information must be posted in an area visible to users.
- All safety and hazard notices and the type plate must be kept in legible condition.
- Only use the product in proper working order.
- Observe the technical information in our catalogue or data sheet for the respective product.
- Improper installation may impair the protective function.
- Observe all instructions in these operating and maintenance instructions.
- It would go beyond the scope of this document to list all valid regulations and directives. Therefore, always check whether your installation complies with the applicable regulations.

Intended use

- The product described in these operating/assembly instructions is manufactured in accordance with the state of the art and the recognised safety regulations.
- They may only be:
 - used as intended and
 - used when they are safe and in good working order.
- Any other use is not deemed proper use. PRIORIT is not liable for the resulting damage and consequential damage.



The attachment doors may only be installed on walls with the same fire resistance class or higher.

Transport and storage

The attachment doors are disassembled into the individual components and packed on pallets.

The loaded pallets are not stackable!

Inspection on acceptance by recipient

The delivered goods and their packaging must be checked immediately for damage, completeness or other conspicuous features.

If you find any damage, please document it immediately (sketch, photo, description, article and serial number etc.) and send it to PRIORIT AG.

Unpacking

Dispose of the packaging material in an environmentally friendly manner or continue to use it.

Interim storage

If the product is not used or assembled immediately, it must be stored carefully in a protected place. Make sure that no condensation forms and no moisture can penetrate.

The product must not be stored outdoors.

Key facts at a glance

Note the danger of tipping over during transport!

Do not remove the protective film, edge protectors or other packaging material until you reach the immediate usage site!

Pay attention to the enclosed assembly material on the protective foil or on the attachment door!

Always have at least 2 people transport the attachment doors!

When transporting with a forklift truck, use forks whose length is in accordance with the enclosure's dimensions.

Watch out for any protruding parts.

When transporting with a crane, do not step under suspended loads.

Any damage must be reported to us immediately.

The products must not be stored outdoors.

Functional test, safety check, care and maintenance

- The attachment doors should be maintained at least once annually and checked for proper function. We recommend that you complete a functional check (visual inspection). The safety

check can only be carried out with the necessary level of care and attention by an employee authorised by us, as sufficient experience and a comprehensive level of knowledge are indispensable for this.

- Commonly available, mild household cleaners can be used for external cleaning of the product.
- The product must be protected against water, moisture penetration, or water spray.
- If safety-relevant damage is detected, they must be repaired with original parts before further use.

Building material/Surface

- Building material incl. surface coating A2-s1, dO: not flammable
- Building material incl. surface with high chemical resistance, mechanical strength and stability.

Warranty, transfer declaration

In order to ensure the optimal function of our products, the assembly instructions must always be observed.

PRIORIT's warranty applies to the delivered products.

Any modifications or changes to the design are permitted only following prior consultation with PRIORIT; otherwise the approval/warranty will be null and void.

The installer/setup technician must provide a guarantee for all assembly work.

Any warranty or liability claims for personal injury or property damage are excluded if they were caused by one or more of the following:

- The product is not used according to its intended purpose.
- Improper assembly, commissioning, operation, and maintenance.
- Failure to observe the instructions on transportation, storage, operation, and assembly.
- Unauthorised structural modifications to the product.
- Improper repairs.
- Catastrophes caused by third parties or force majeure.

Intellectual property rights

In order to protect innovations and the design, utility model specifications have been submitted to the German Patent Office.

Opening and closing

The following systems are available for opening and closing our attachment doors:

- Swivelling lever lock

- Sash fastener

Procedure for opening and closing:

Swivelling lever lock for DIN half cylinder or other locking systems.

OPEN:

Insert the key into the DIN half-cylinder lock.

Turn the key 1 quarter turn clockwise and pull out the swivelling lever.

Turn the swivelling lever 90° anticlockwise upwards and open the door.



CLOSE:

Close the door, making sure that the swivelling lever is in the open position.

Press the door slightly and turn the swivelling lever 90° clockwise downwards.

Allow the swivelling lever to audibly engage in the swivelling lever holder again and remove the key.

Sash fastener

OPEN:

Turn the sash fastener 90° clockwise using the square spanner.

CLOSE:

Press the door slightly and turn it anticlockwise with the enclosed square key.

Pay attention to the closing direction of the lock!



Assembly manual – Preliminary remarks

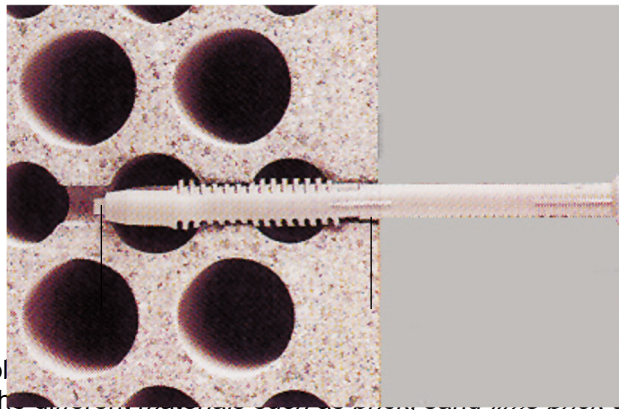
Lock:

Swivelling lever in stainless steel look (prepared for DIN half cylinder) or

optionally square lock

Dowel length (frame dowel)

= anchorage depth of min. 70 mm + thickness of AREV frame



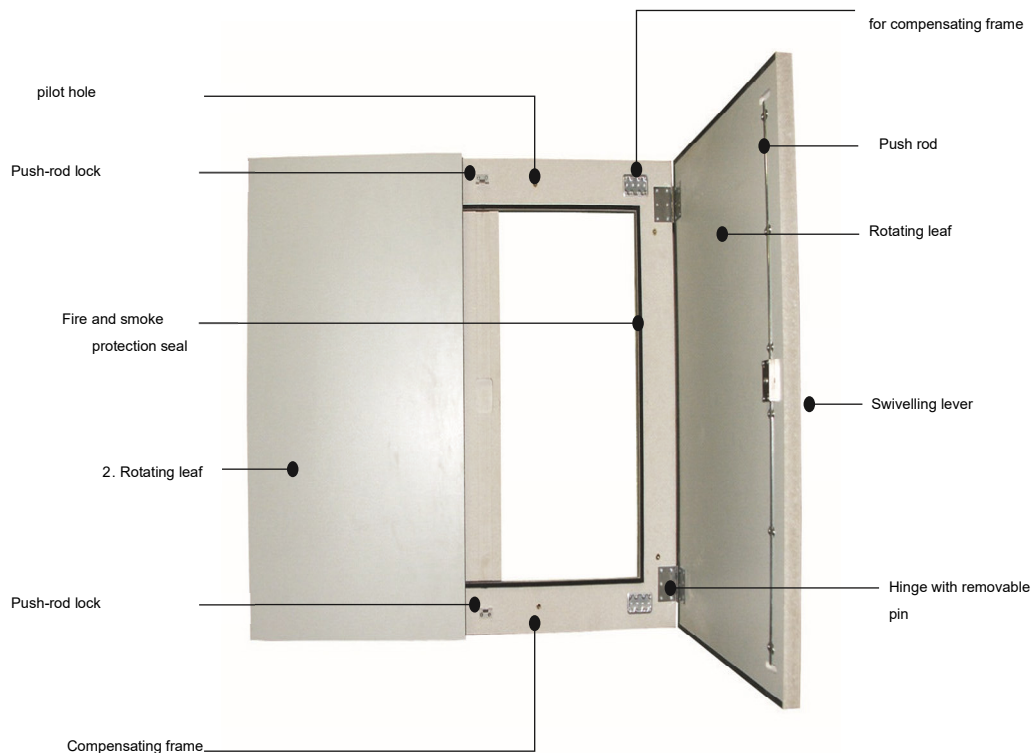
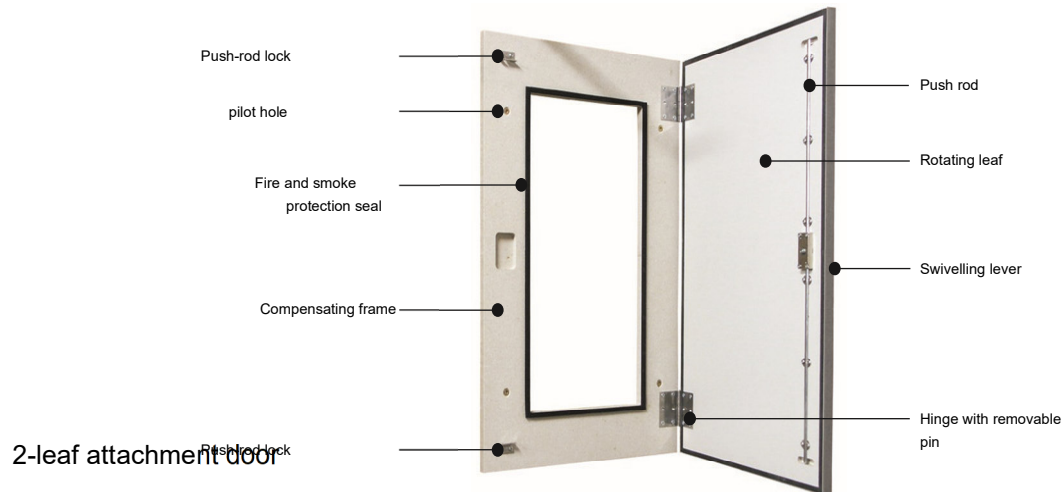
The selection of suitable (solid or perforated brick) and the type of brick (solid or normal, lightweight and aerated concrete).

the type of brick (solid or normal, lightweight and aerated concrete).

- In the case of unknown masonry, pull-out tests of the dowels must be carried out!
- Screw connections to the structure may only be made with approved, suitable screws/dowels.
- The suitability of the screws/dowels must be checked depending on the building and in advance.
- Required fastening material must be coordinated with the building structure and the corresponding load and, if necessary, supplemented.
- Any fastening material supplied only meets part of the requirements.

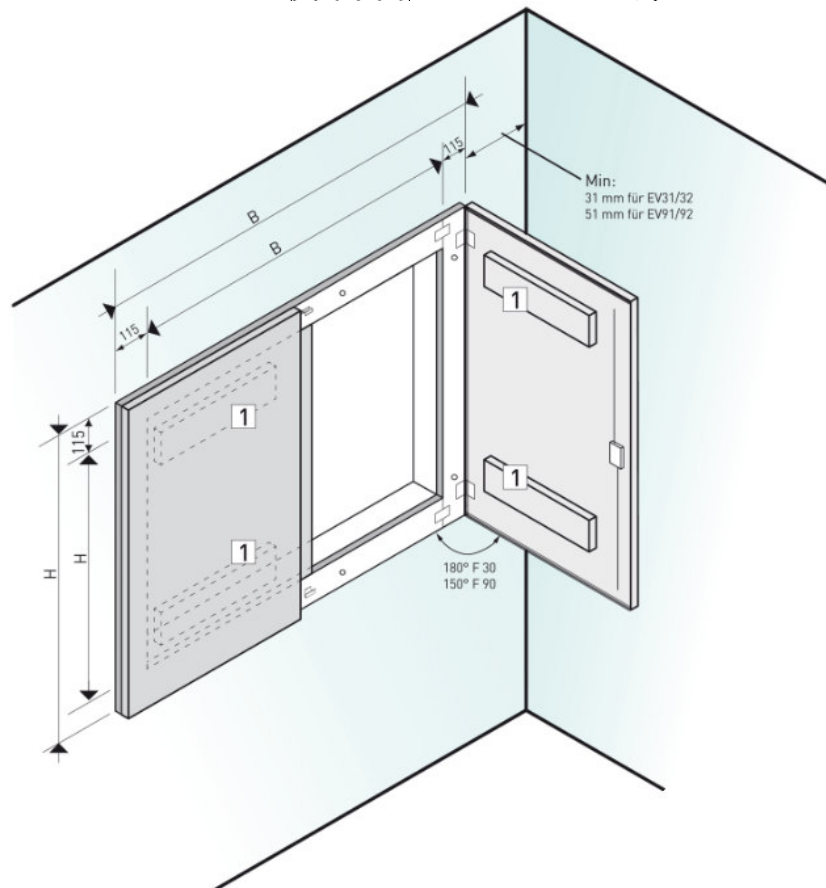
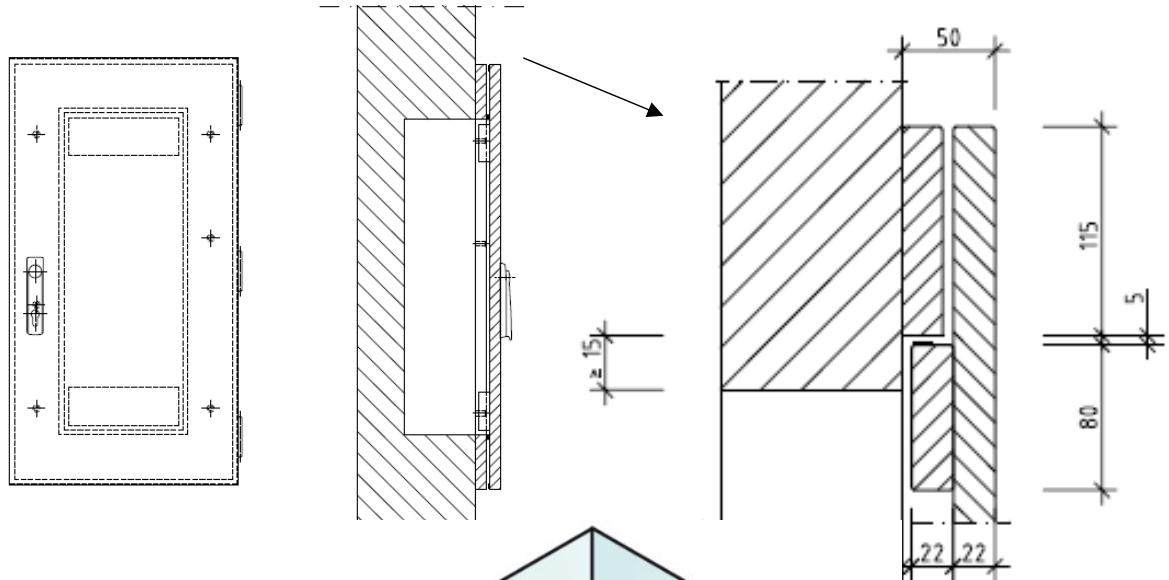
Designation of the main elements of the attachment door

1-leaf attachment door



In the F30 version, there are 2 additional strips on the inside of the doors for both the 1 and 2-leaf doors!

Interior strips see image



Assembly manual – Scope of delivery

Check the goods for damage!

Check contents for completeness!

Hinges, push-rod lock, push rod, swivelling lever and, if necessary, strips on the inside of the door, for F30 version, are already pre-assembled on the frame or door leaf.

Scope of delivery

- Attachment door including wall compensation frame (compensation frame for 2-leaf EV doors partially dismantled)
- Push-rod lock (already pre-assembled)
- Push rod (already pre-assembled)
- Swivelling lever (already pre-assembled)
- Sealing compound (cartridge)

Fastening material consisting of:

Frame dowels Ø10 mm incl. screws (number according to the drill holes)

Can only be used for solid walls!

Optionally available:

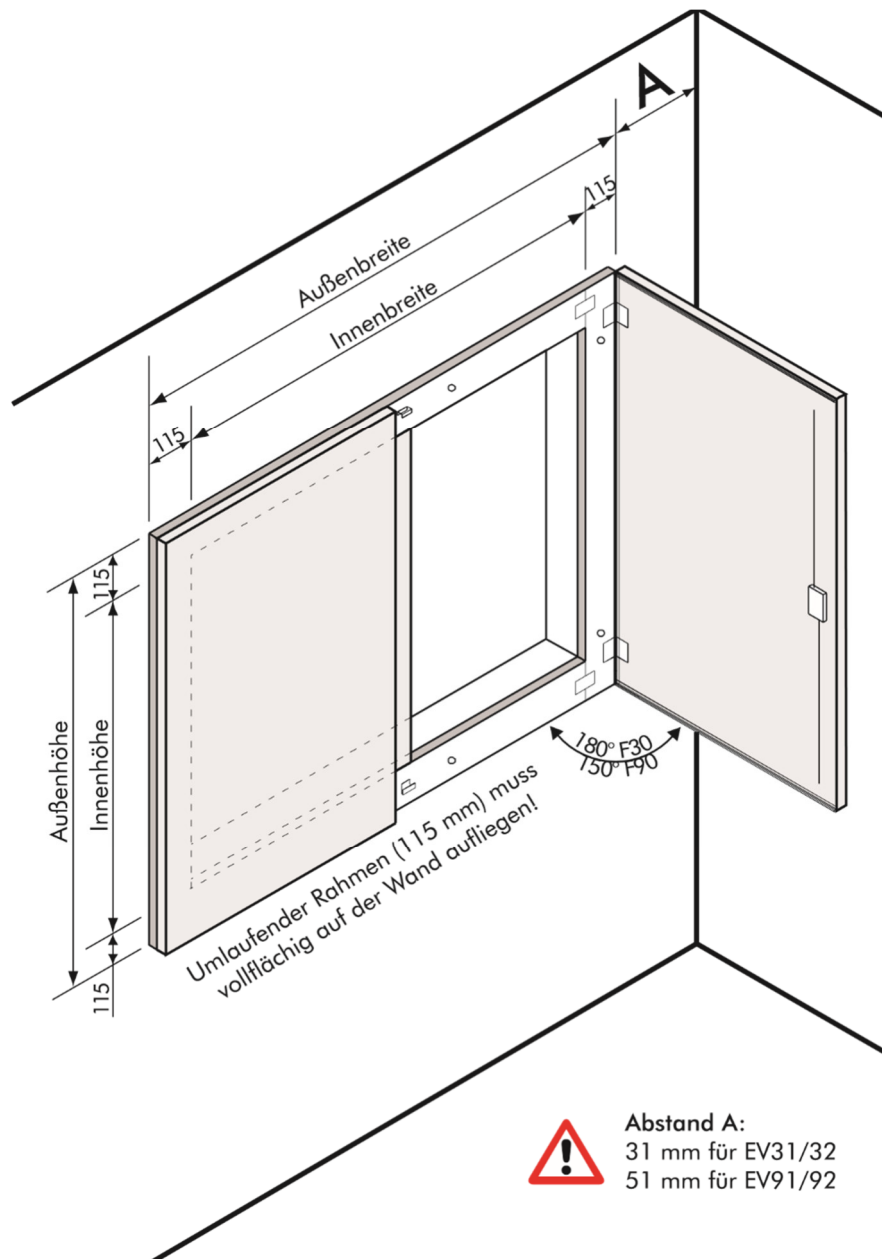
- Additional compensating frames (AREV frames)
- Closure via square in stainless steel look



After removing the packaging, do not open the door in a lying position by pulling the swivel lever upwards. Only use the swivelling lever to unlock the door and open it carefully by hand!

Assembly manual – Dimensions and wall distance

Dimensions : Example of a 2-leaf attachment door



Assembly manual – Frame assembly

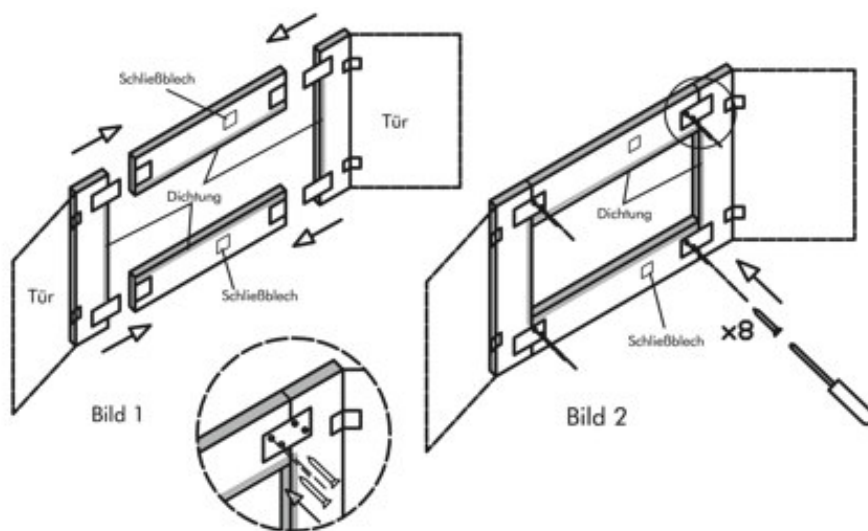
For 2-leaf doors, the frame is delivered partially disassembled for transport reasons.

The following images show the assembly of the frame.

For easier assembly, unHINGE the doors beforehand if necessary (see Image 3).

Push the frame together as shown in Image 1 and fasten the connecting plates with the enclosed screws. (4 screws per frame corner - 2 per corner and frame part - 16 screws in total for 4 corners).

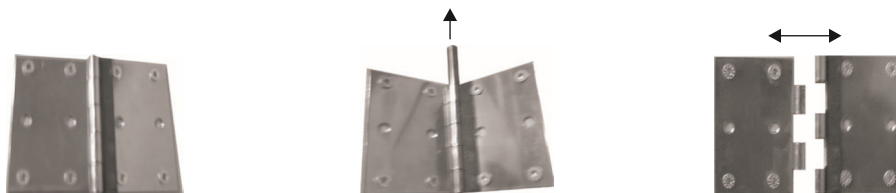
Make sure that the seal of the horizontal frame elements is aligned with the inner opening.



To make compensating frame necessary.

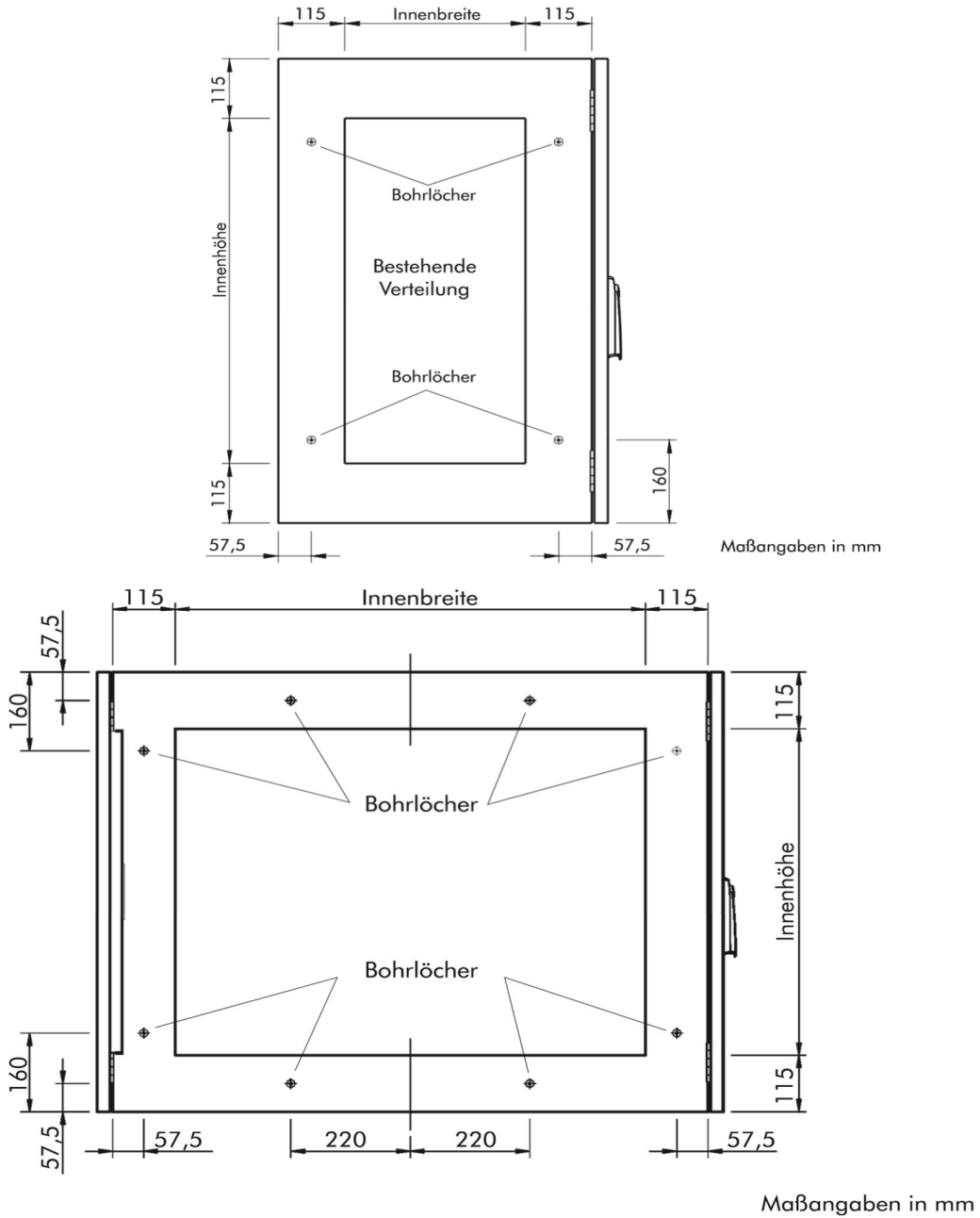
To unHINGE the door leaf(s), push the pin out of the stainless steel hinge upwards and remove the door(s)!

Image 3



For safety reasons, the unHINGING of the door leaves from the frame (especially with 2-leaf door elements) should be carried out with the help of a 2nd person!

Assembly manual – Marking the drill holes



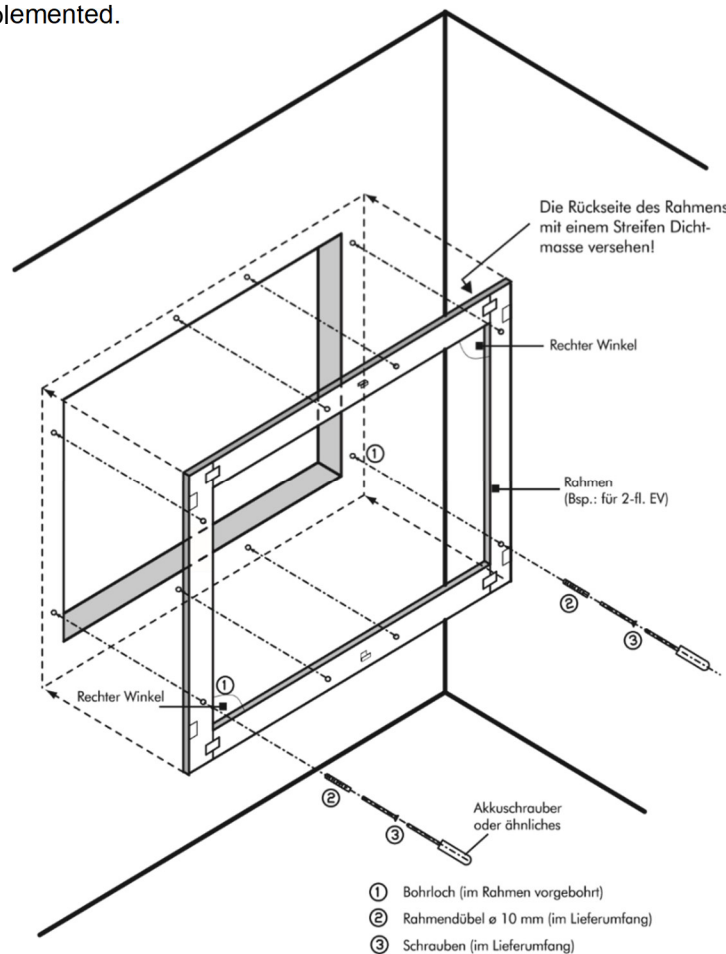
Assembly manual – Wall fastening

Masonry fastening:

Drill the indicated holes in the existing wall with a drill bit corresponding to the dowel diameter! Note the anchoring depth in the masonry!

When fastening the frame, make sure that it is mounted at an angle. Check the angularity with a spirit level and/or measure the diagonals.

Screw connections to the structure may only be made with approved, suitable screws/dowels. The suitability of the screws/dowels must be checked depending on the building and in advance. Required fastening material must be coordinated with the building structure and the corresponding load and, if necessary, supplemented.

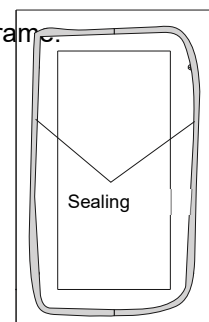


Assembly manual – Applying the sealing compound

Apply the enclosed sealing compound all around the centre of the rear side of the frame. (See Fig.)

Any unevenness of up to 4 mm can be evened out with this.

To even out larger gaps / unevenness, greater than 4 mm, the wall must be filled beforehand.



Inside

Fastening on the wall

Masonry fastening:

Insert the dowels through the compensation frame and, if necessary, through the additional false edge of the frame into the drill hole and screw them to the wall with the corresponding screws!



For an additional false edge of the frame, correspondingly longer dowels and screws are required (see table Frame dowels on the next page).

Table frame dowels and screws

Example : Make "Fischer"

Masonry and concrete

Frame	required dowels
1 frame (standard)	$\varnothing \times L = 10 \times 100 \text{ mm}$ - included in delivery
additional 2. frame	$\varnothing \times L = 10 \times 115 \text{ mm}$ (not included in delivery)
additional 3. frame	$\varnothing \times L = 10 \times 160 \text{ mm}$ (not included in delivery)
additional 4. Frame	$\varnothing \times L = 10 \times 160 \text{ mm}$ (not included in delivery)

Assembly
manual -

Inserting the door leaves

Insert the door leaf into the hinges of the compensating frame and press the pin in from above!

- Reverse order as described in point 3!



After inserting the door leaf(s) into the frame, the pin must be fully inserted in the hinge. A recheck of all pins is mandatory after successful assembly!

Close door(s) via swivelling lever or optionally via square!

The frame must be sealed circumferentially with sealing compound on the outside after assembly has been completed!



Notes