



SYSTEM 42

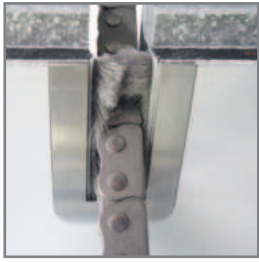
PRIODOOR ETX RDA H

Smoke damper, horizontal

Large format, single leaf, fire resistant smoke control damper especially designed for installation in air release shafts of RDA (RDA = Smoke protection pressure systems). The aim of the application is to keep safety staircases smoke-free. In case of fire the smoke control damper is opened automatically by the controls of the on-site RDA. Large-format cross-sections provide a clear, unobstructed air release area for fire gases. The closure is smoke-tight and provides fire resistance for 90 minutes.

Function

- Tested as a smoke damper
- Fire resistance 90 minutes
- Classification EI 120 (V_{ed} - i↔o) S500C10000 AAmulti
- Smoke protection
- Tight seal
- Pressure / suction stable up to 500 Pa
- Sound reduction index depending on size up to 36 dB



■ Door fitting and chain drive



■ Many surfaces possible, see pages 44



■ Circumferential fire and smoke protection seals



■ Gas springs (depending on the size of the damper leaf)

Construction

- Single panel shaft closing with high mechanical durability
- Flush-fitting assembly in solid walls and PRIOWALL with assembly frames
- Free large format flow surface
- External construction width from 1000 mm to 2.100 mm
- External construction height from 379 mm to 1,000 mm
- Rebated wooden door casing without gas spring: three sides 64 mm, lock side 139 mm
- Rebated wooden door casing with gas spring: 2 x 64 mm and 2 x 139 mm
- All round smoke and fire protection seals, automatically foams in the event of fire
- High-quality stainless steel bands
- Gas springs depending on the size of the damper leaf included

Material characteristic

- Non-combustible board with surface coating, classification A2 - s1, d0
- Standard surface CPL
- Standard colour light grey - similar to RAL 7035, coloured edges and chamfers

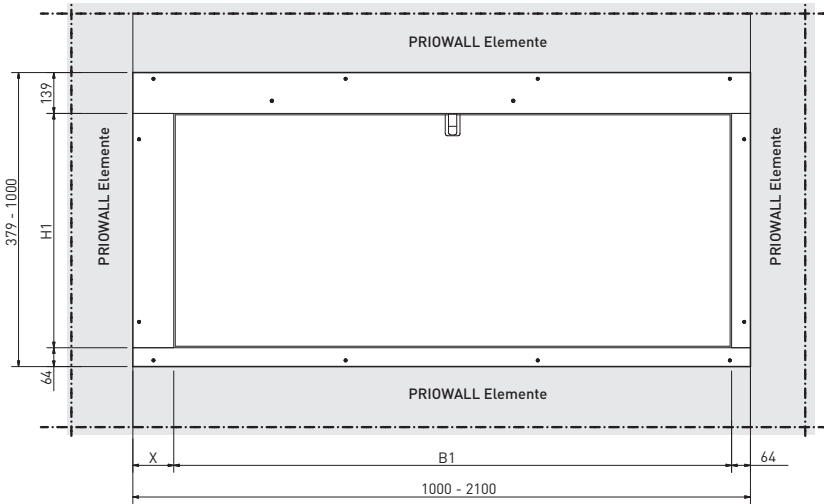
Scope of delivery

- Smoke damper
- Assembly frame
- Chain drive with connector cable
- Attachment material

Drive

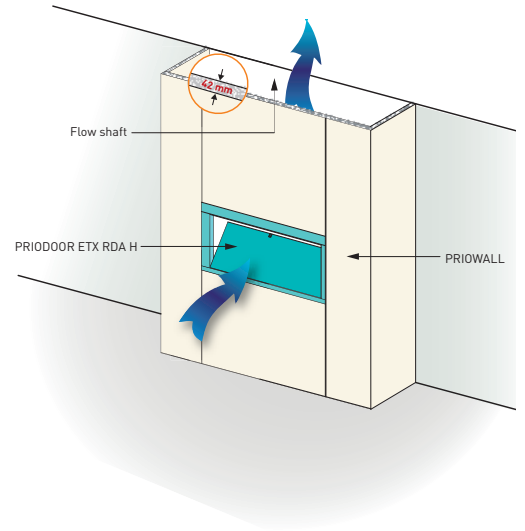
- Opened and closed by chain drive
- System voltage 24 V DC
- Power consumption 40 mA, max. 1.2 A in cut-out torque
- With integrated adjustable limit switches
- Lock with power cut-off
- Chain drive adjusted by software
- Connector cable chain drive 6-pole, 3.00 m (2 conductors each for drive, limit and programming)

PRIODOOR ETX RDA H Smoke damper

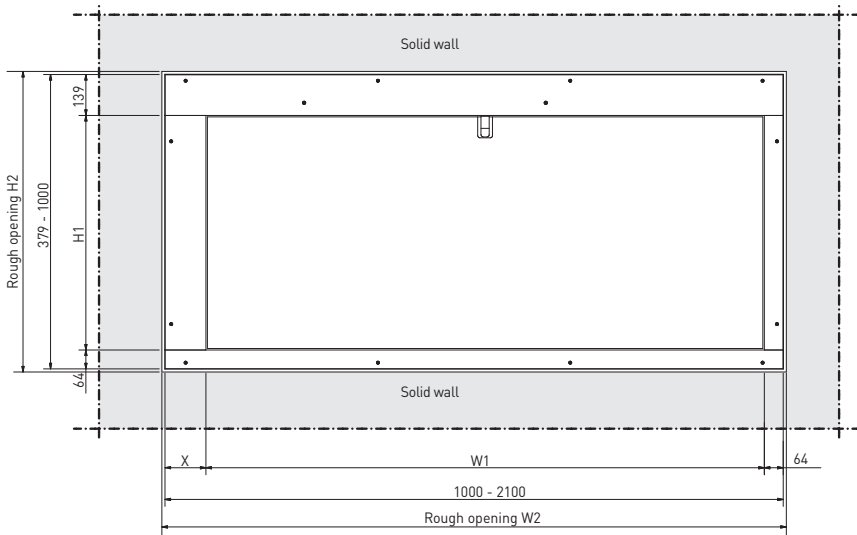


X = 139 mm if using a gas spring; 64 mm without gas spring

PRIODOOR ETX RDA H - Installation with PRIOWALL elements; Front view, closed

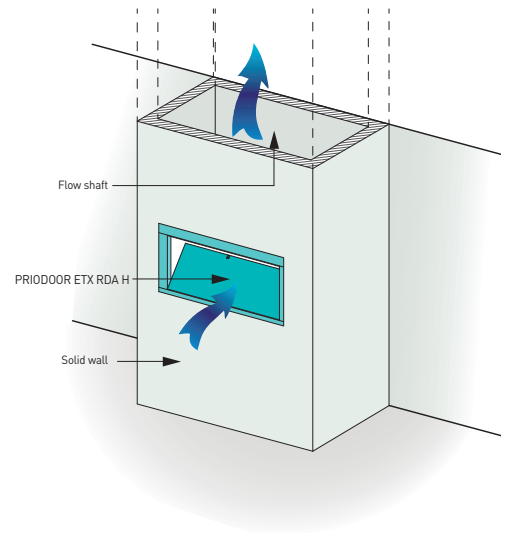


Application example

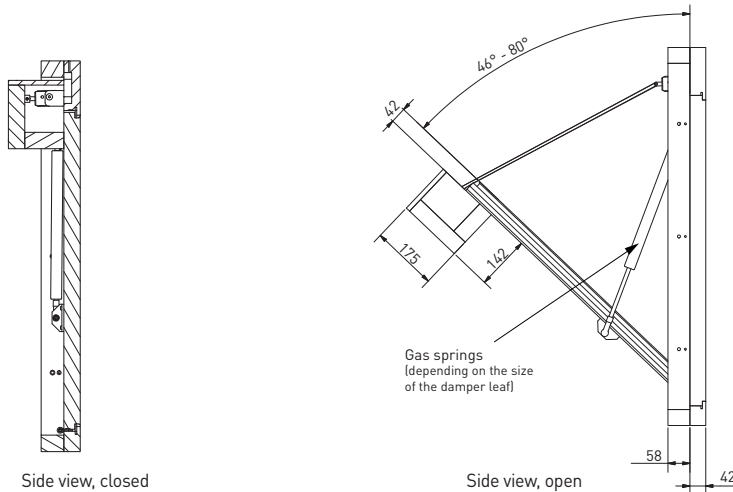


X = 139 mm if using a gas spring; 64 mm without gas spring

PRIODOOR ETX RDA H - Installation in solid wall; Front view, closed







Application example



Side view, closed

Side view, open

Art.	 H x W mm	 H1 x W1 mm	 H2 x W2 mm	 ¹⁾ kg	Gas springs
------	---	---	---	---	-------------

ETX-RDA-H-SAF Individual custom production: external height 379-1000 mm and external width 1000-2100 mm; flow surface depends on the door panel size and the aperture angle \angle

Fire resistance 90 minutes

ETX-RDA – 1-leaf, flush with the adjacent areas

ETX-RDA-H-070-135	700 x 1350	497 x 1222	720 x 1370	90	□
ETX-RDA-H-080-150	800 x 1500	597 x 1297	820 x 1520	105	■
ETX-RDA-H-090-180	900 x 1800	697 x 1597	920 x 1820	132	■
ETX-RDA-H-100-210	1000 x 2100	797 x 1897	1020 x 2120	163	■

¹⁾ Weight without assembly frames

Further sizes are available in our design tool at www.priorit.de

Options and accessories



■ Inspection tool

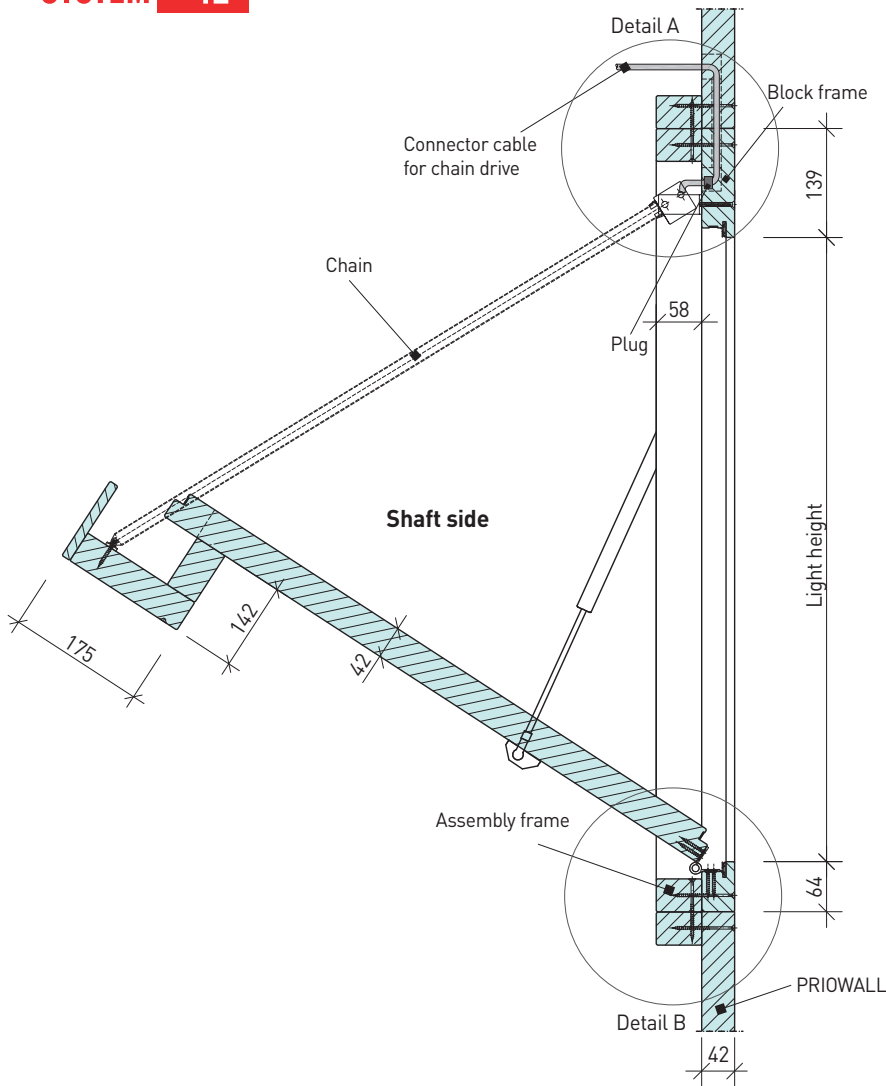


■ Commissioning set

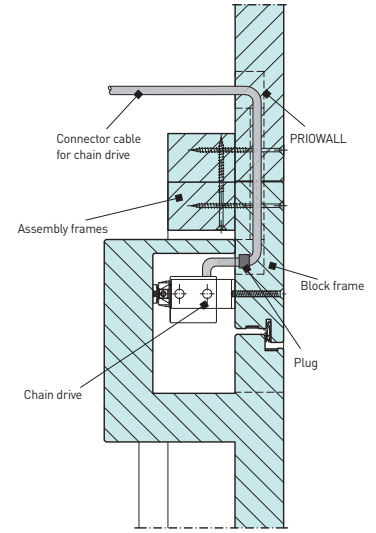
Art.	Accessories
RT-RDA-H	Revisionstool – For the exchange of driving and gas spring
ETX-RDA-SCHUTZ	Protective plate for smoke extraction flap, adapted to the respective external dimensions of the element - incl. 2 fixing holes - Material MDF board
ETX-RDA-H-SET	Commissioning set – For functional testing and adjustment of the driving on site; consisting of: Connection box with 24V power supply, programming set

Installation in PRIOWALL

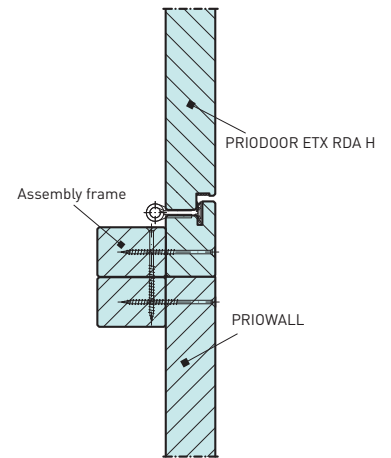
SYSTEM 42



Cross section PRIODOOR ETX RDA



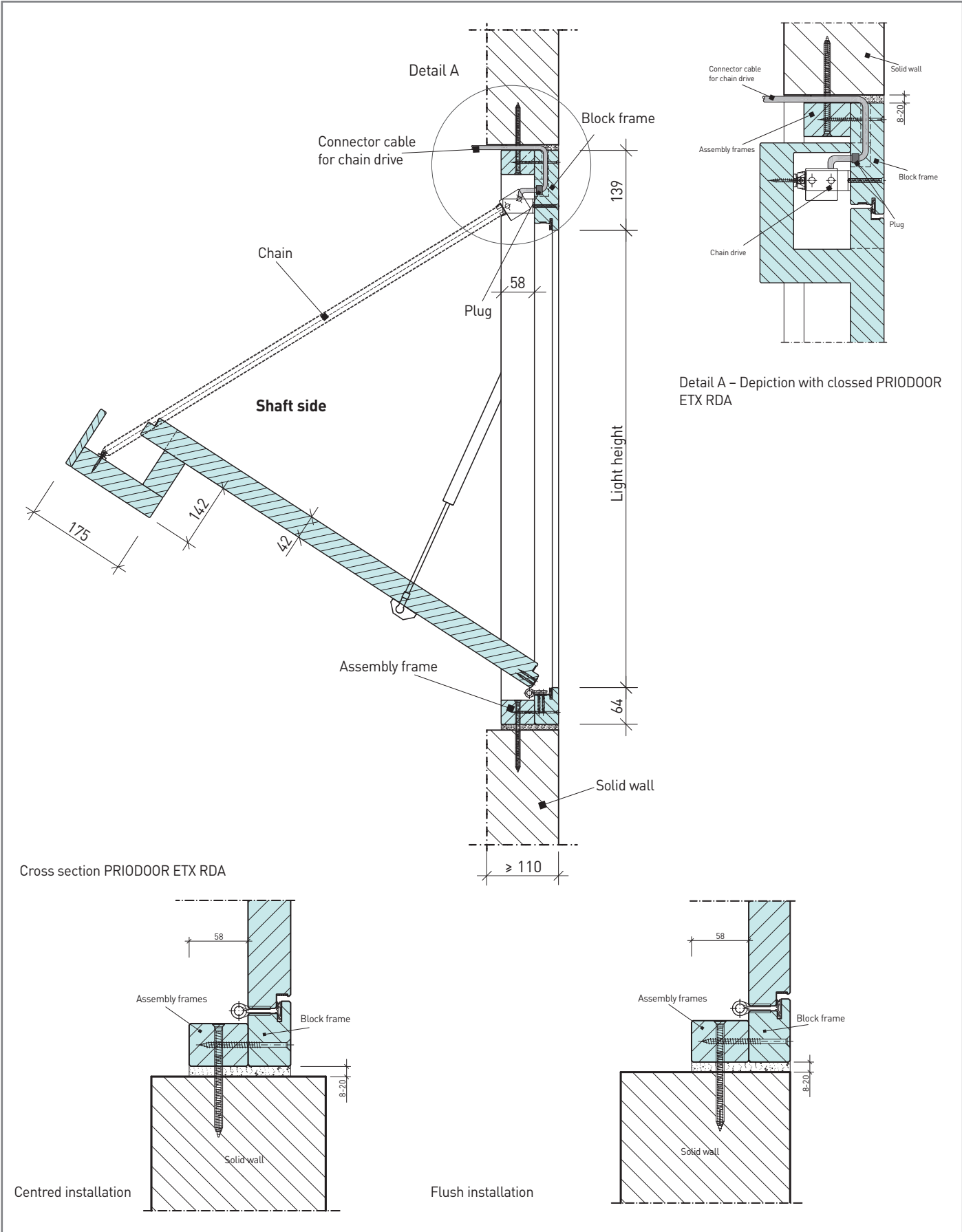
Detail A – Depiction with closed PRIODOOR ETX RDA



Detail B – Depiction with closed PRIODOOR ETX RDA

Schematic illustrations, without scale

Installation in solid wall



Schematic illustrations, without scale

Subject to technical changes. | Status: 21.05.2024