



PRIOROOM FEI consisting of
 + PRIOWALL
 + PRIOCEIL
 + PRIODOOR FSA
 + Accessoire bulkhead
 + Accessoire ventilation



SYSTEM 42

PRIOROOM FEI

Functional Unit, Individual

Fire-resistant and individual functional unit for the housing of electrical safety systems required by the building ordinance. The individually designable functional unit consist of prefabricated single components of 42 mm in thickness including the wall, ceiling, fire protection closure („System42“), bulkheads and ventilation elements. The functional unit is smoke-proof, offers 90 minutes of fire-resistance, and can be constructed in a quick and neat design.

Proof of functional integrity must be provided in accordance with MLAR. It must be ensured that the function of the electrotechnical installations is guaranteed in the event of fire for the necessary duration of the functional integrity.

Function

- Fire resistance 90 minutes
- T 90-RS classification of door
- Door are smoke-tight, tested for continuous operation



■ Fire protection flap BEK



■ Self-closing door(s)

Construction

- Functional unit with high mechanical resistance
- Door closes flush with body, opening angle ca. 180°, self-closing
- Door can be unhinged, handle set in stainless steel
- Locking through triple latch lock with single cylinder
- Door with circumferential smoke and fire seals that automatically expand in the event of a fire
- Fire-resistant supply and exhaust air system, each NW 100 mm, for connection to a fire-resistant fire-protection duct system (ventilation system) provided at the site

Material characteristic

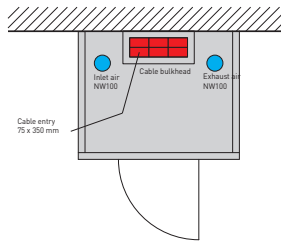
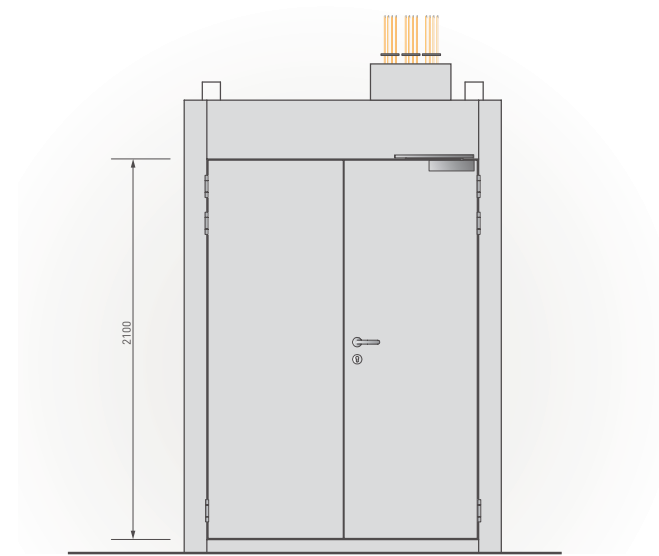
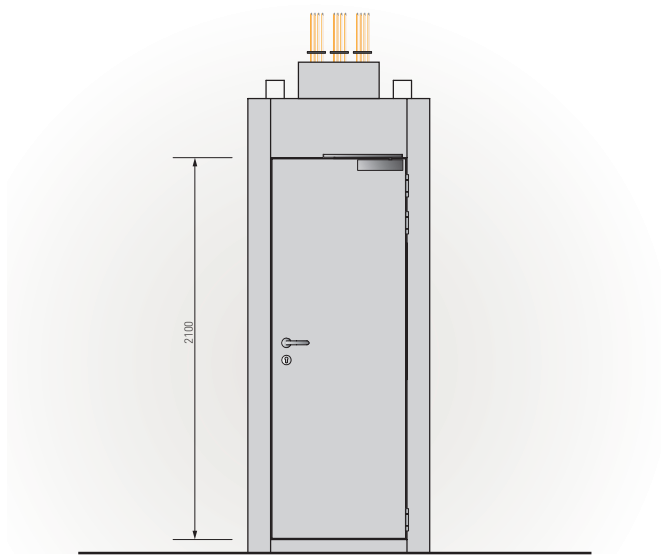
- Non-combustible board
- Standard CPL surface
- Colour light grey, similar to RAL 7035, edges and bevels in different colour

Construction forms

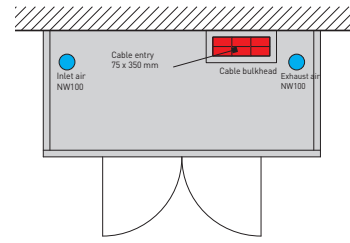
- L- and U-shapes, each with
- Ceiling element
 - Glazing
 - Firestop seals
 - Ventilation

PRIOROOM FEI, single-leaf design

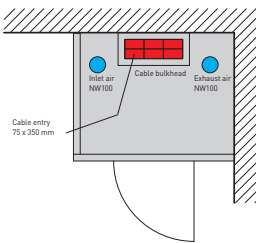
PRIOROOM FEI, two-leaf design



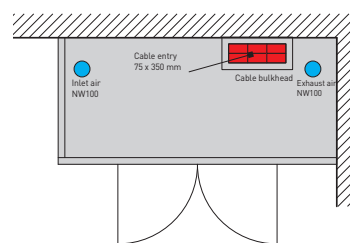
View from above (U-shape)



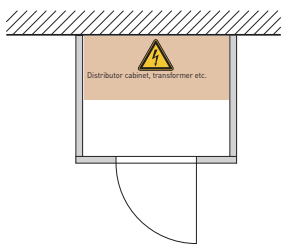
View from above (U-shape)



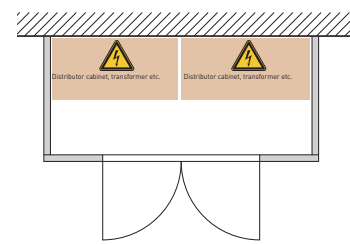
View from above (L-shape)



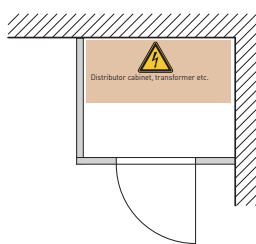
View from above (L-shape)



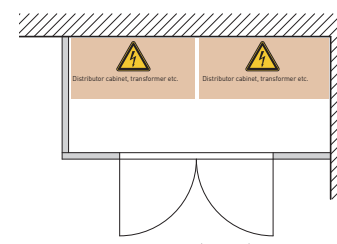
Floor plan (U-shape)



Floor plan (U-shape)



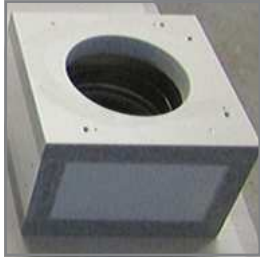
Floor plan (L-shape)



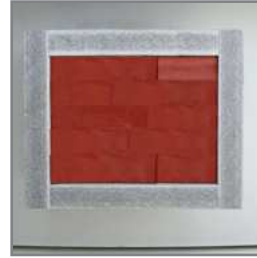
Floor plan (L-shape)

Options and accessories

- Various PRIORIT surfaces, see pages 44
- Priming film - can be painted on-site
- Aluminium decor



■ Fire protection flap BSK



■ Fire-resistant cable and pipe penetration seal

Art.	Accessories
Fire protection flap	
TTW-LL-K90	Fire protection flap BEK EI90S shut-off DN 100 triggered by thermal detectors, ready for installation for SYSTEM42 constructions, with a connecting sleeve on one side for DN 100
BSK-FK90-100	Fire protection flap BSK EI90S with thermal release, ready to install for System 42 constructions; W x H x D: 236 x 170 x 230 mm; nominal width \varnothing 100 mm; weight: 13 kg
Ventilation systems	
VENT-24V	Additional ventilation set, consisting of fan 24V DC; (only in combination with BSK-FK90-100); without power supply unit.
VENT-24V-NETZ	Power supply unit for additional ventilation set 24V 60 W; with top-hat rail
Cable and pipe penetration seal	
KRS125	Cable and pipe penetration seal $d = 135$ mm; external dimensions 200 x 200 mm
TTW-S-S90	Cable penetration seal external dimensions W x H x D: 444 x 204 x 200 mm; internal dimensions W x H x D: 360 x 120 x 200 mm; PRIODEK H frame
TTW-S-S90-KLEIN	Cable penetration seal external dimensions W x H x D: 444 x 204 x 200 mm; internal dimensions W x H x D: 360 x 60 x 200 mm; PRIODEK H frame