

Internal overhead door closer

Internal door handle

Piano hinge



PRIODOOR RTH

Inspection door

Universally applicable, smoke-tight inspection opening closure for installation in solid and GKF shaft walls. The single-leaf inspection closure is suitable as a large-format closure of inspection openings in fire-resistant installation shafts and thus offers the possibility of the best possible accessibility of technical installations. The requirements for inspection closures according to the Model High-Rise Building Directive with regard to fire resistance, smoke tightness and self-closing are fulfilled.

Function

- Fire resistance 30 or 90 minutes, fire-retardant/fireproof
- Compliance with the maximum temperature increase in accordance with DIN 4102 Part 11 – 180 K
- Smokeproof
- Self-closing
- Fire-tested from the inside and the outside
- Non-combustible including the decorative surface A2 - s1, d0
- Sound reduction index depending on size up to 37 dB

Structure

- Single-leaf inspection hatch cover
- With internal overhead door closer
- Angle of opening up to 120°
- Flush-mounted profile half-cylinder – lockable from the outside
- Stainless steel piano hinge
- Right-hinged DIN door
- Wraparound block frame

Material quality

- Non-combustible material with surface coating, classification A2 – s1, d0
- Standard surface is laminate
- Standard colour is light grey – similar to RAL 7035, edges and chamfers in contrasting darker colour

Installation

- Flush mounting
- Central installation
- Flush installation in solid walls
- Installation in solid walls
- Installation in GKF shaft walls
- Installation flush with floor or raised
- Ready for installation ex works
- Pre-assembly (max. 20 mm) to create a uniform plaster surface

Scope of delivery

- PRIODOOR RTH in kit form
- Black wrist strap

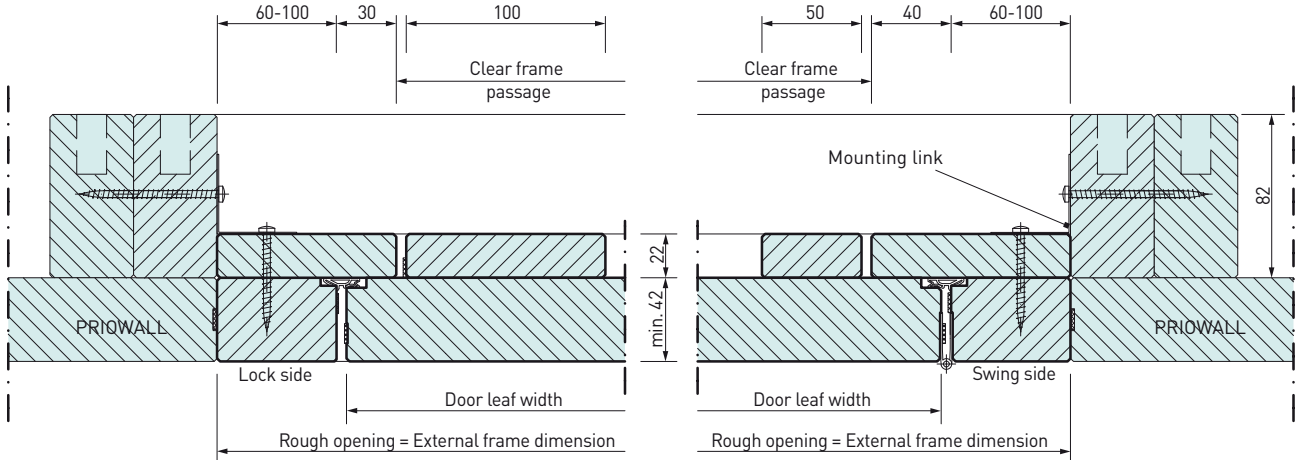
Options

- Various PRIORIT surfaces
- Priming film - can be painted on-site
- Aluminium decor

Installation in PRIOWALL wall system

Flush installation

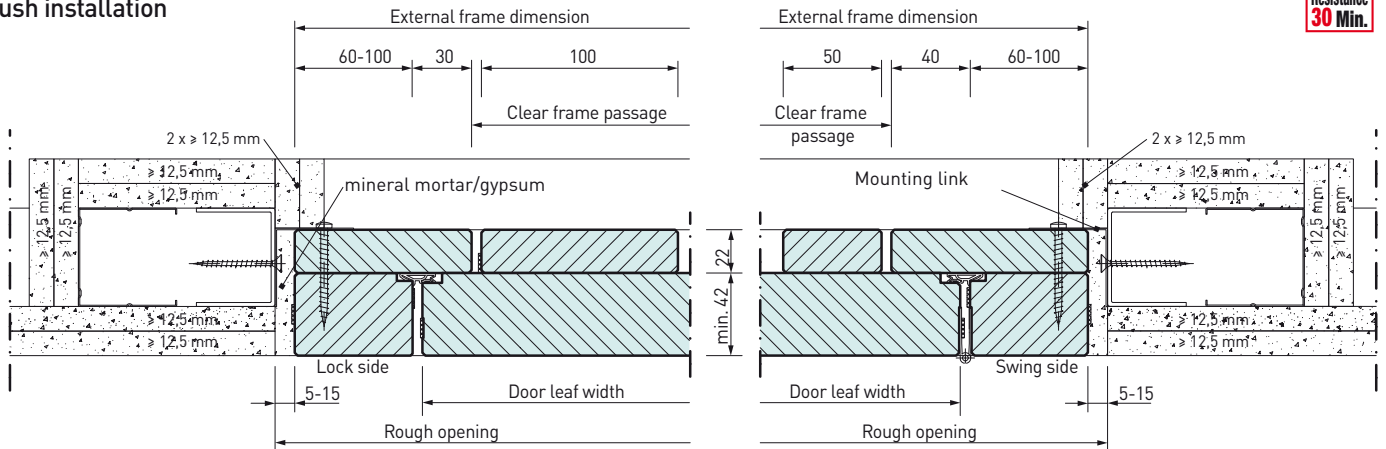
Fire Resistance 30 Min. Fire Resistance 90 Min.



Installation in shaft wall GKF

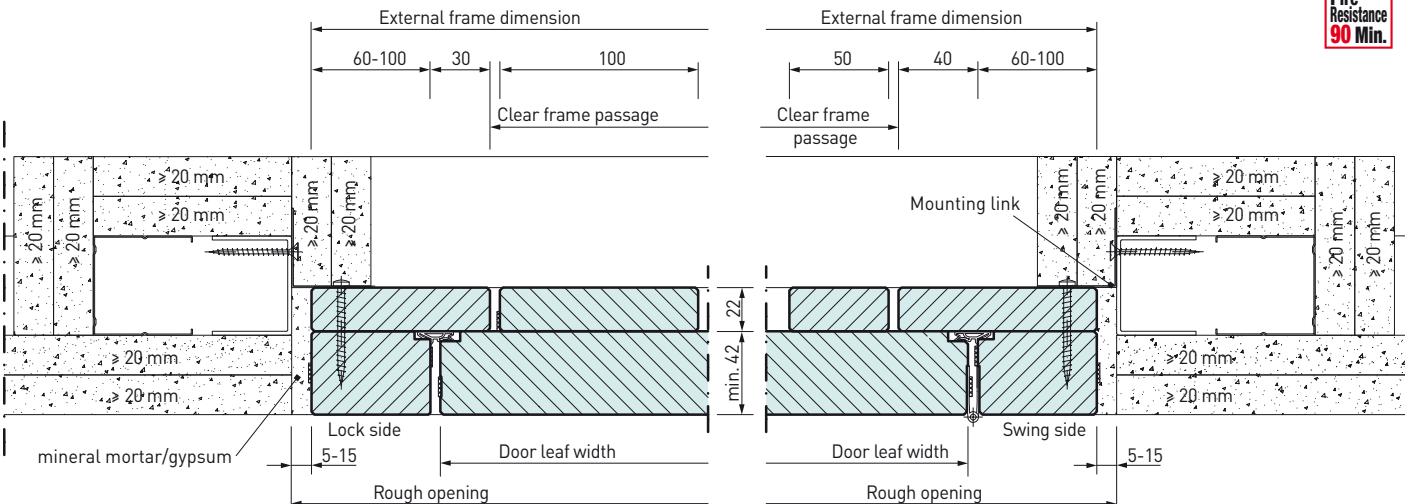
Flush installation

Fire Resistance 30 Min.



Flush installation

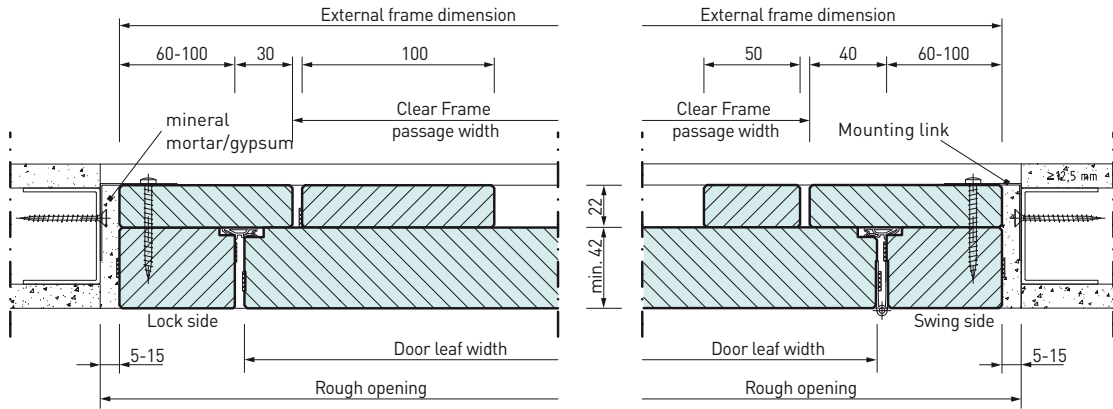
Fire Resistance 90 Min.



Installation in lightweight wall GKF

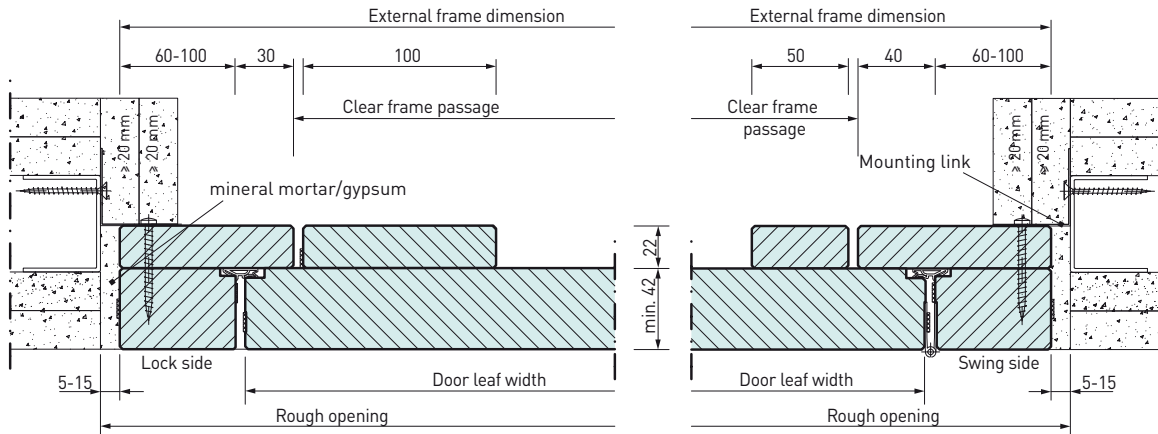
Flush installation

Fire Resistance
30 Min.



Flush installation

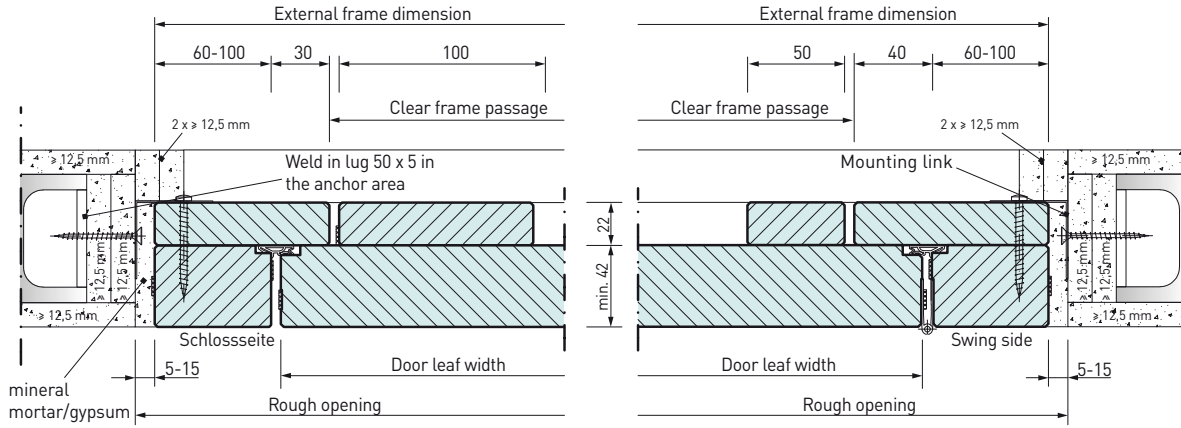
Fire Resistance
90 Min.



Connection to clad steel component as part of the installation shaft

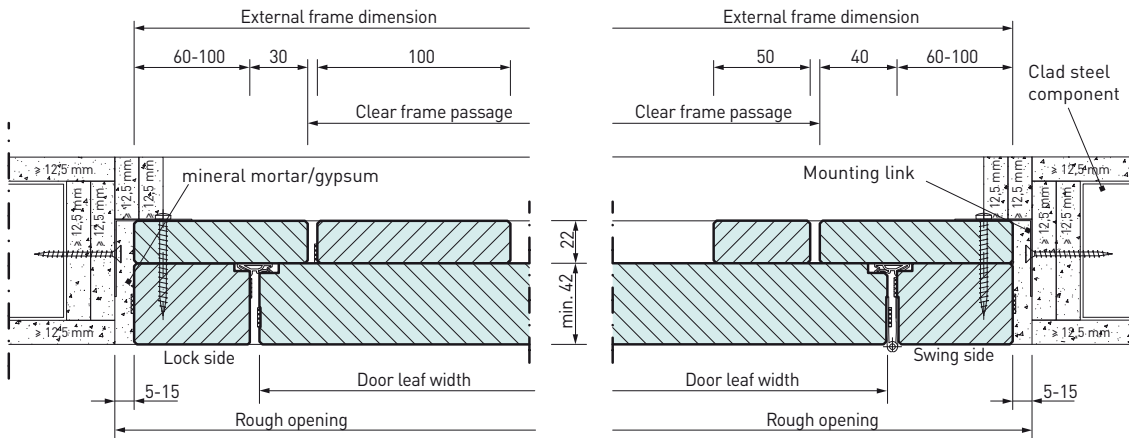
Flush installation

Fire Resistance
30 Min.



Flush installation

Fire Resistance
30 Min.

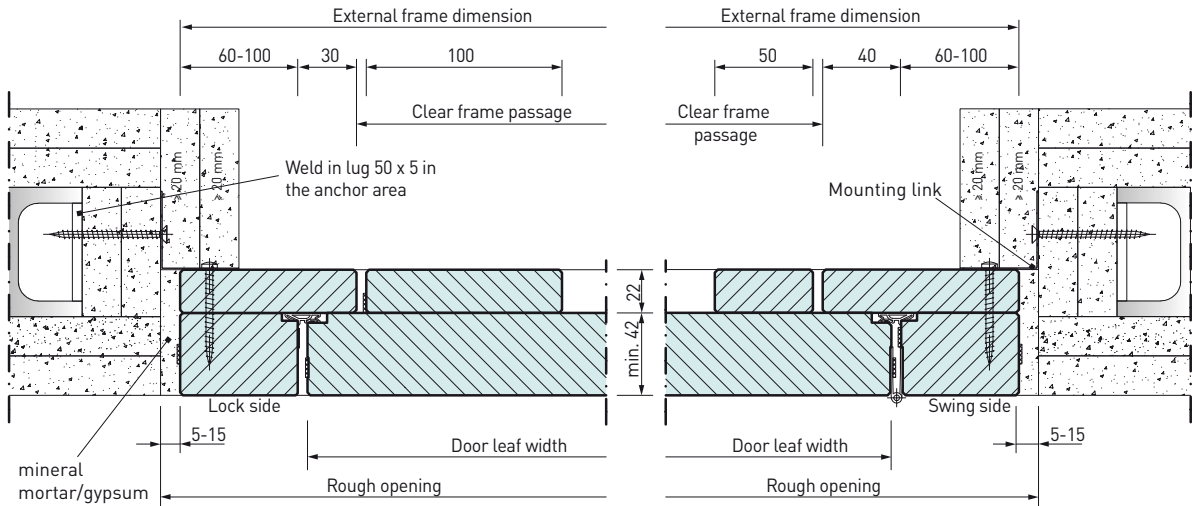


Installation details

Connection to clad steel component as part of the installation shaft

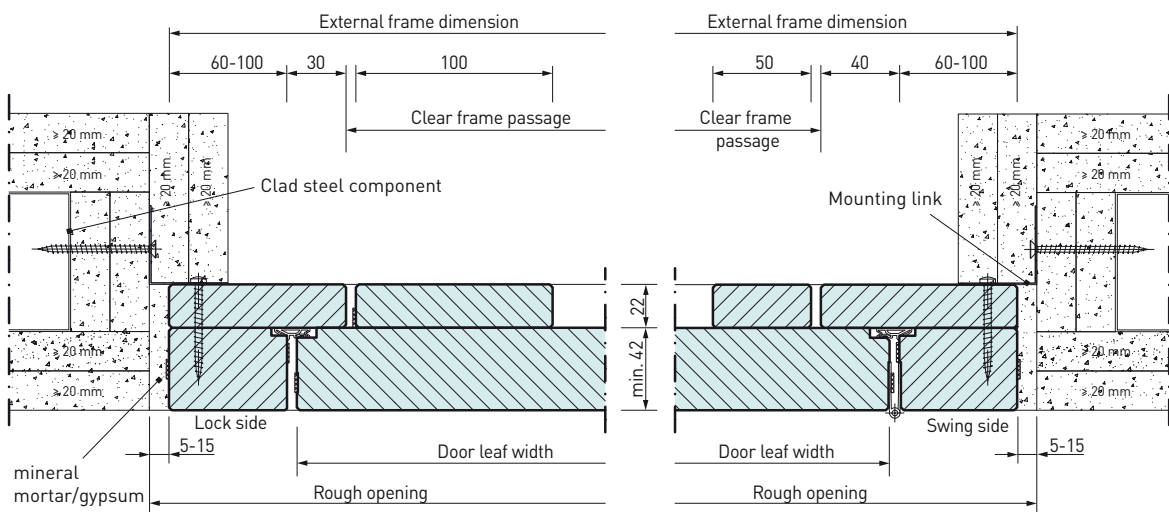
Flush installation

Fire Resistance
90 Min.



Flush installation

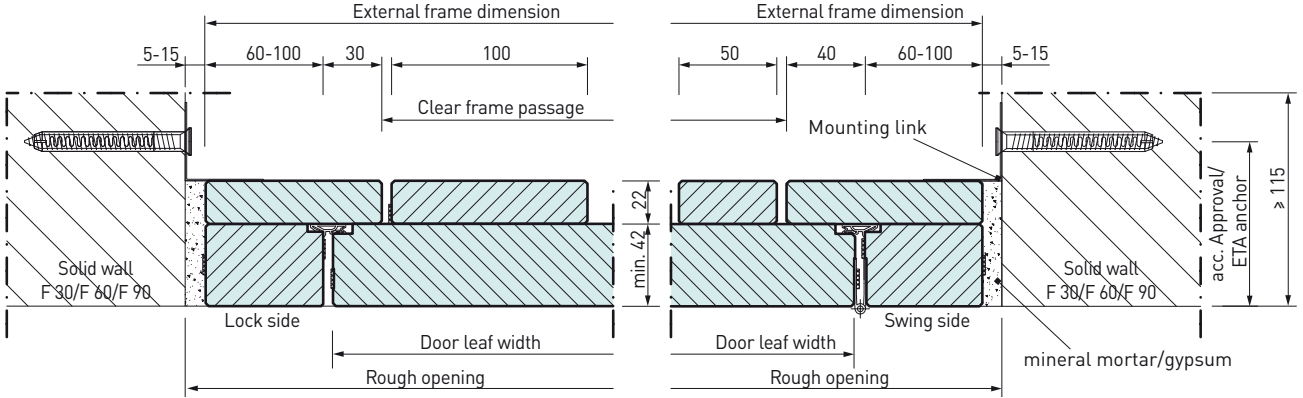
Fire Resistance
90 Min.



Installation in solid wall

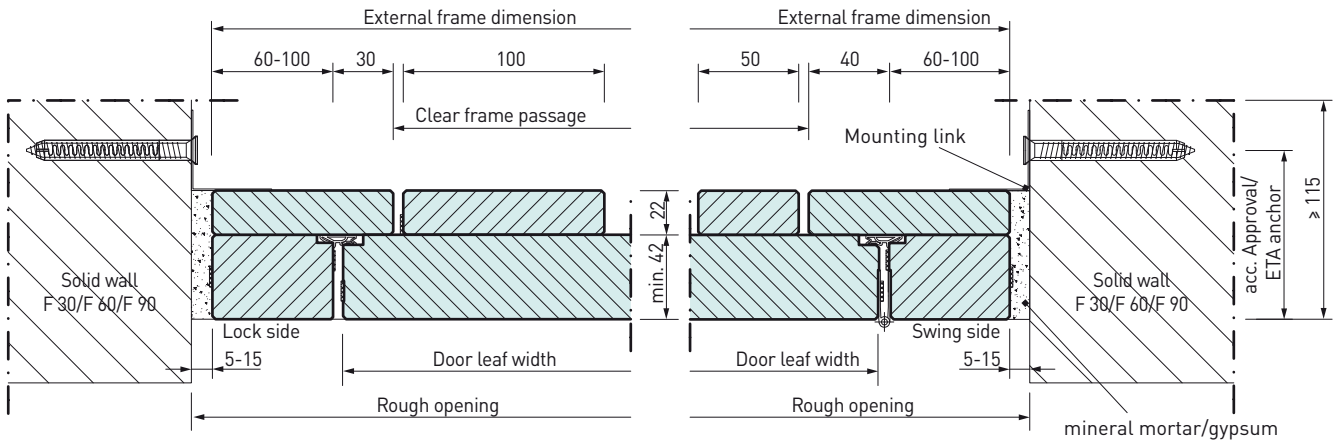
Flush installation

Fire Resistance 30 Min. Fire Resistance 90 Min.



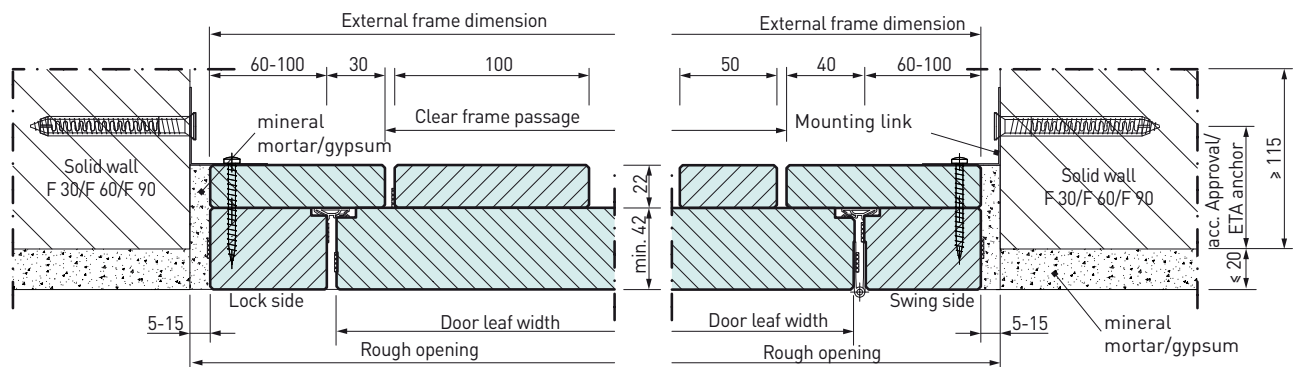
Recessed installation

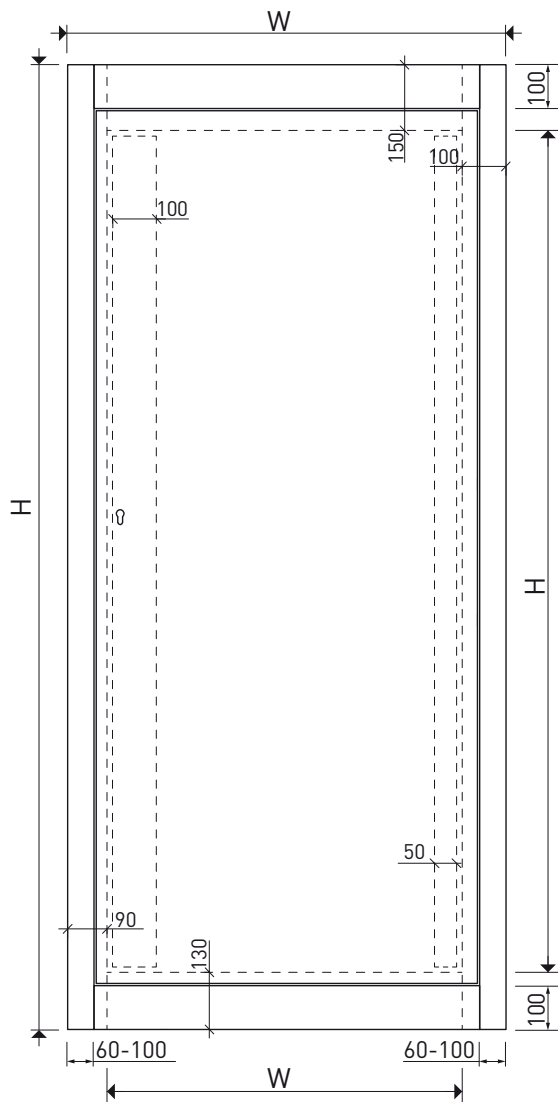
Fire Resistance 30 Min. Fire Resistance 90 Min.










Front installation

Fire Resistance 30 Min. Fire Resistance 90 Min.





 External dimensions
 Internal dimensions
 Specifications in mm

Art.	 H x W x D mm	 H x W x D mm	 H x W mm	 kg	 DIN
------	--	--	--	--	---

Individual made-to-measure: Outer dimension height 600 - 2200 mm x width 600 - 1000 mm

Fire resistance 30 minutes

RTH31-080-080	800 x 800 x 64	520 x 610 x 64	820 x 820	62	R/L ¹
RTH31-150-080	1500 x 800 x 64	1220 x 610 x 64	1520 x 820	110	R/L ¹
RTH31-210-090	2100 x 900 x 64	1820 x 710 x 64	2120 x 920	168	R/L ¹

Fire resistance 90 minutes

RTH91-080-080	800 x 800 x 64	520 x 610 x 64	820 x 820	62	R/L ¹
RTH91-150-080	1500 x 800 x 64	1220 x 610 x 64	1520 x 820	110	R/L ¹
RTH91-210-090	2100 x 900 x 64	1820 x 710 x 64	2120 x 920	168	R/L ¹



Basic dimensions



Door hinge

Art.	Accessories
RTH-BS	Mounting material for PRIODOOR RTH
DZ-Panik-E ²⁾	Automatic multipoint locking with panic function E
E.P.E.8858	Magnet Reed Contact Set, Contents: 1 magnet, 1 reed contact with 4.0 m connection cable LIYY 4 x 0.14 mm ² , 2 housings, 2 spacer plates, 2 flanges and 4 antimagnetic fixing screws (V4A)

¹⁾ Left-hinged DIN door on request

²⁾ Panic function E possible with PRIODOOR RTH from an internal height of 1720 mm

