



**Fire
Resistance
90 Min.**



**Fire
Resistance
30 Min.**



**Material
+ Decor
A2 Class**



SYSTEM 42

PRIOCEIL

Ceiling system

Single-layer fire-resistant ceiling system with various surfaces for the formation of „room-in-room“ solutions. The PRIOCEIL ceiling system consists of precise coated, non-flammable ceiling panels of 42 mm in thickness, which can be easily and neatly constructed, converted and expanded using connectors. As a component of the „System 42“

module fire protection system, PRIOCEIL can be combined with the PRIORIT wall system for the formation of rooms and is suitable for the installation of bulkheads or ventilation elements. PRIOCEIL is only offered in conjunction with complete PRIORIT solutions.



■ Concealable wall connector (standard)



■ Ceiling support on PRIOWALL wall system and girder

Function

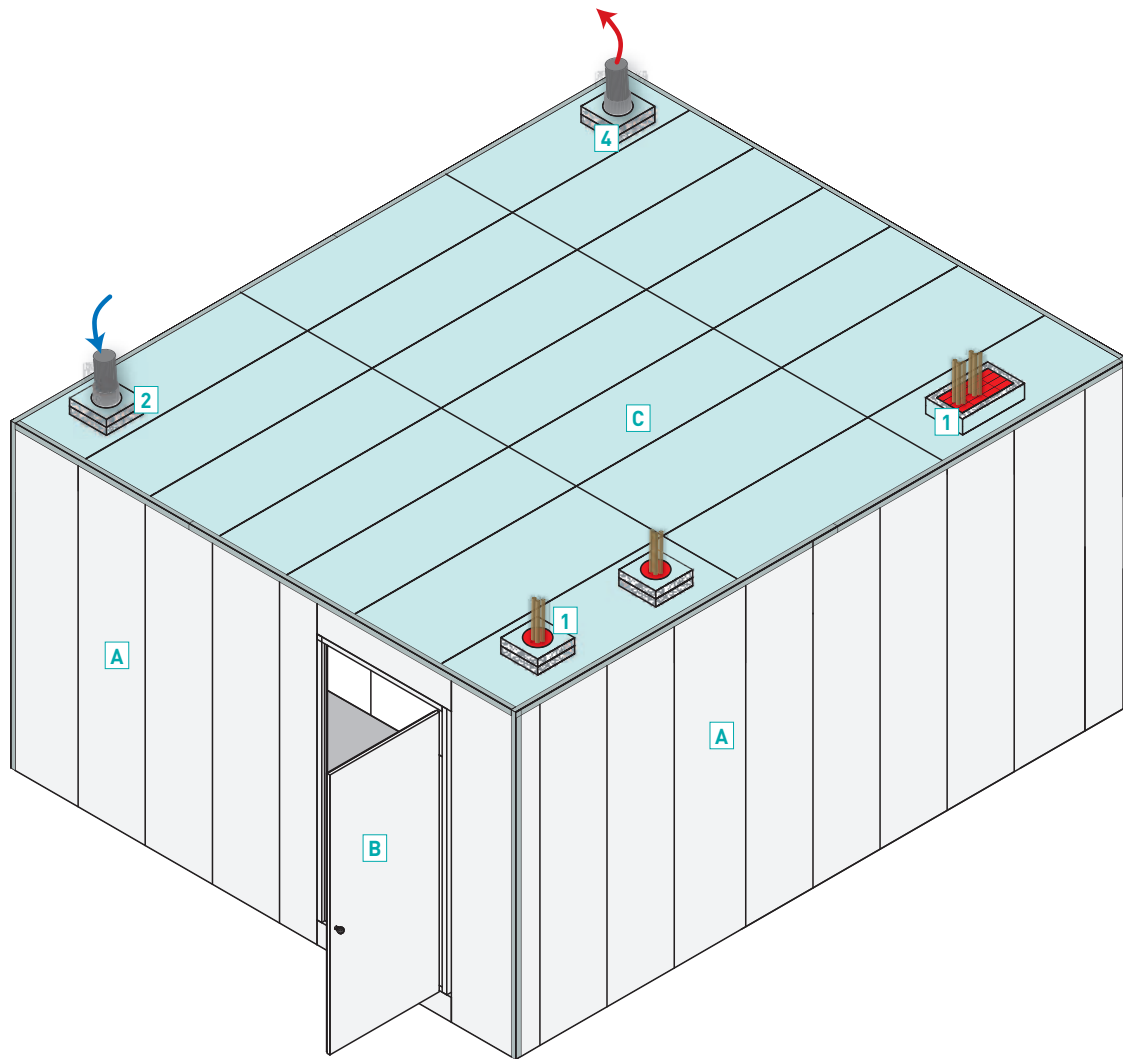
- 30/90 minutes fire resistance, fire retardant/fire resistant
- EI 30 a↔b/F 30 (above and below), EI 90 a↔b/F 90 (above and below) classification

Material characteristic

- Non-combustible board with surface coating, classification A2 – s1, d0
- Standard CPL surface
- Colour light grey, similar to RAL 7035, edges and bevels in different colour

Construction

- Single-layer, highly stable prefabricated elements with beams covering the joints.
- Project-related planning, production and installation
- Construction depth per element up to 1.20 m
- Connection to solid wall and/or PRIOWALL



SYSTEM 42 Components

- B** Wall system PRIOWALL
- C** Fire Resisting Closure PRIODOOR FSA
- F** Ceiling system PRIOCEIL

Accessoires

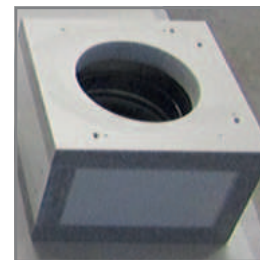
- 1** Cable and pipe bulk head
- 4** Fire protection flaps



■ Pipe and cable bulkheads



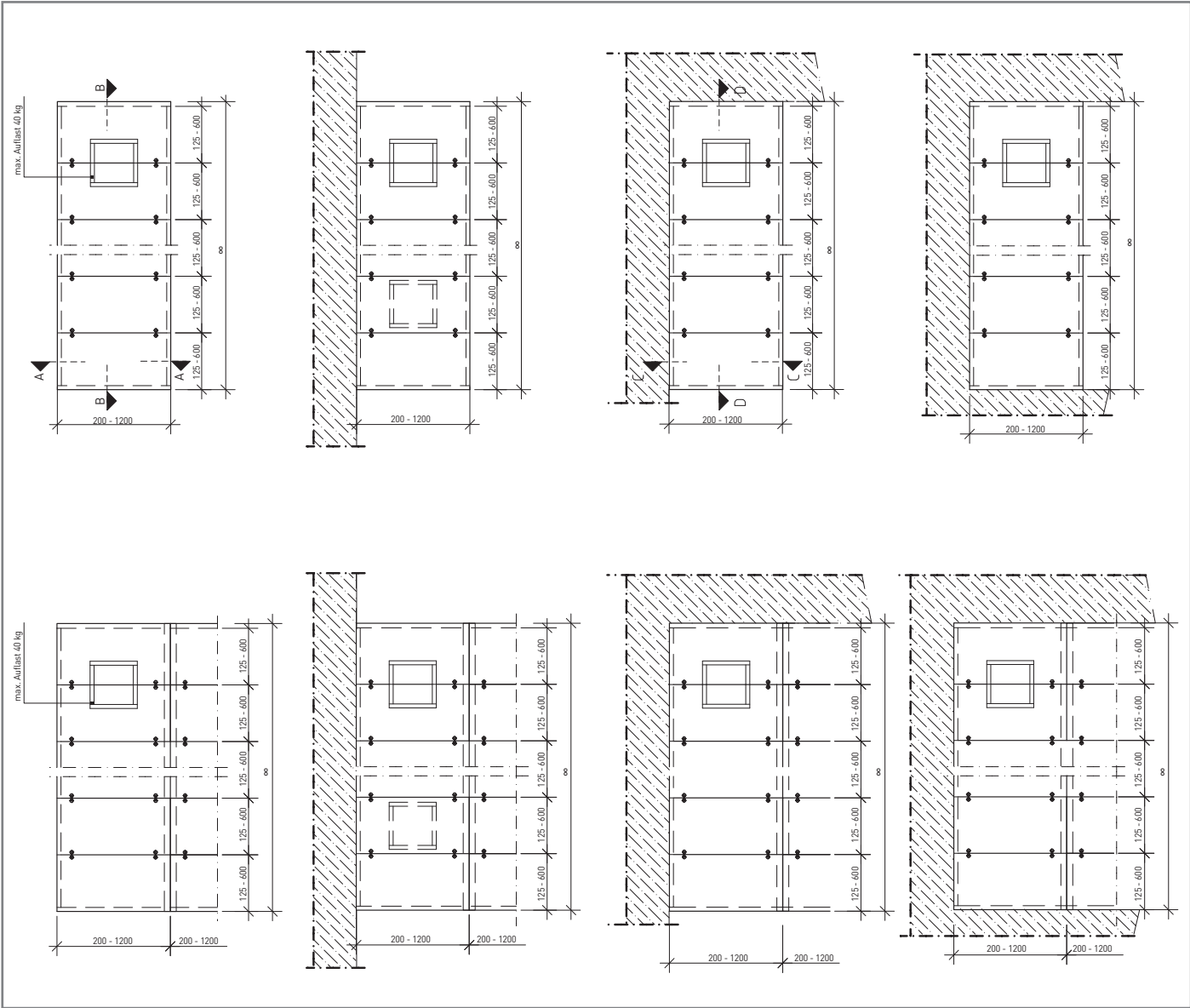
■ Fire protection flap BEK



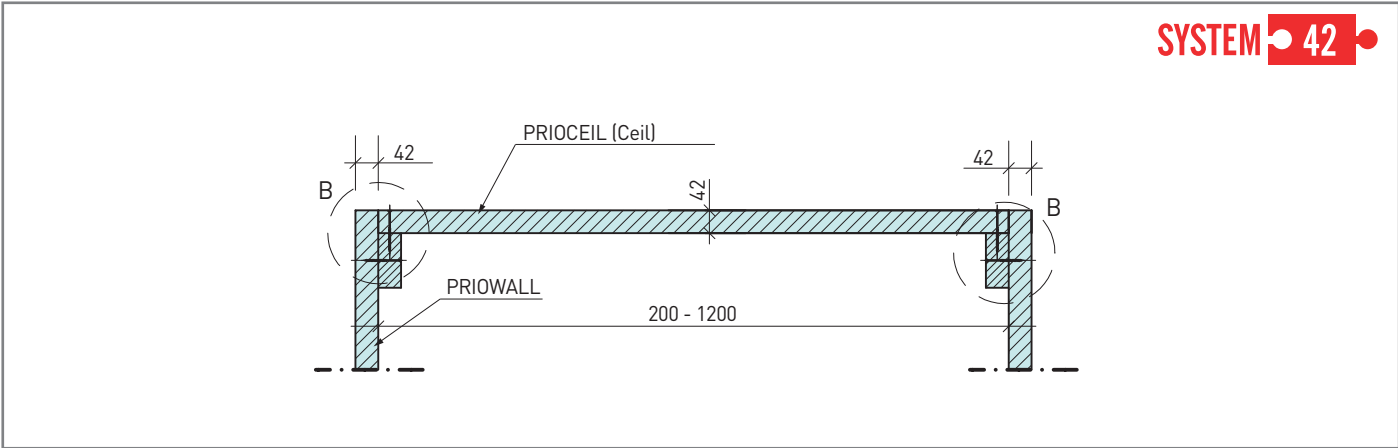
■ Fire protection flap BSK

PRIOCEIL is offered on a project-by-project basis

Assembly details



Design variations

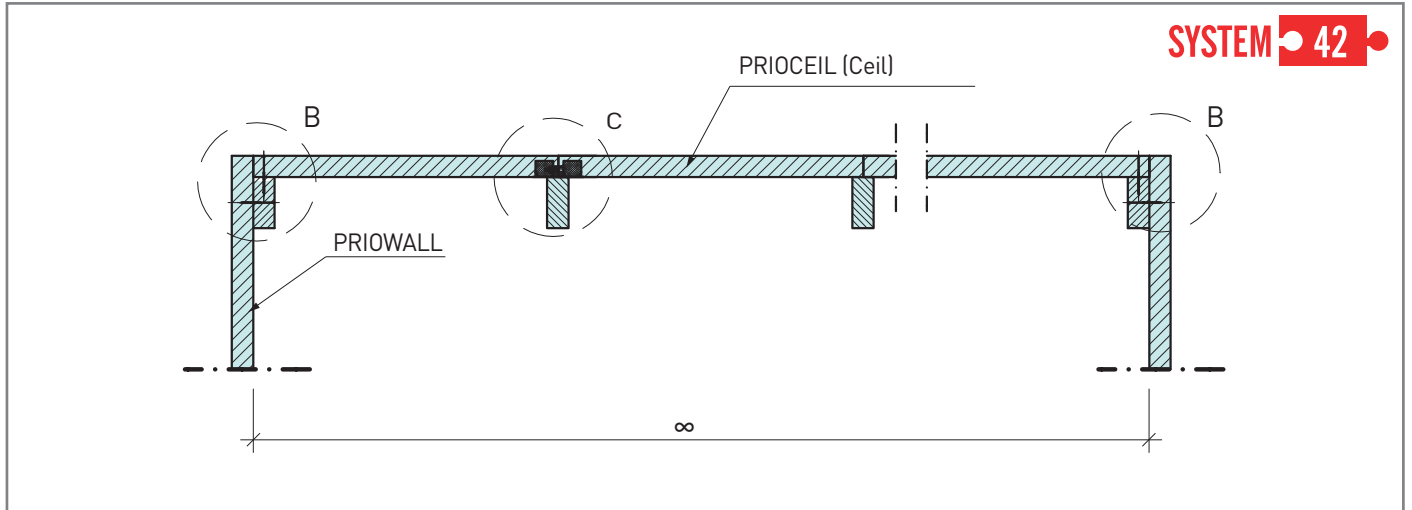


Cut-out AA

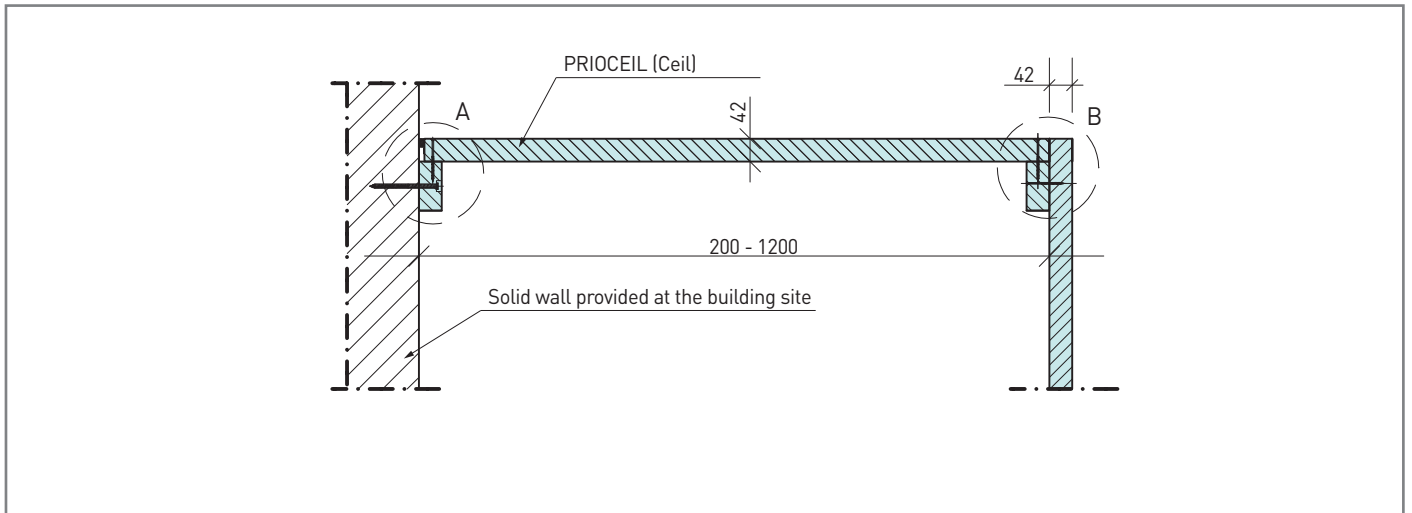
SYSTEM 42

Subject to technical changes. | Status: 21.05.2024

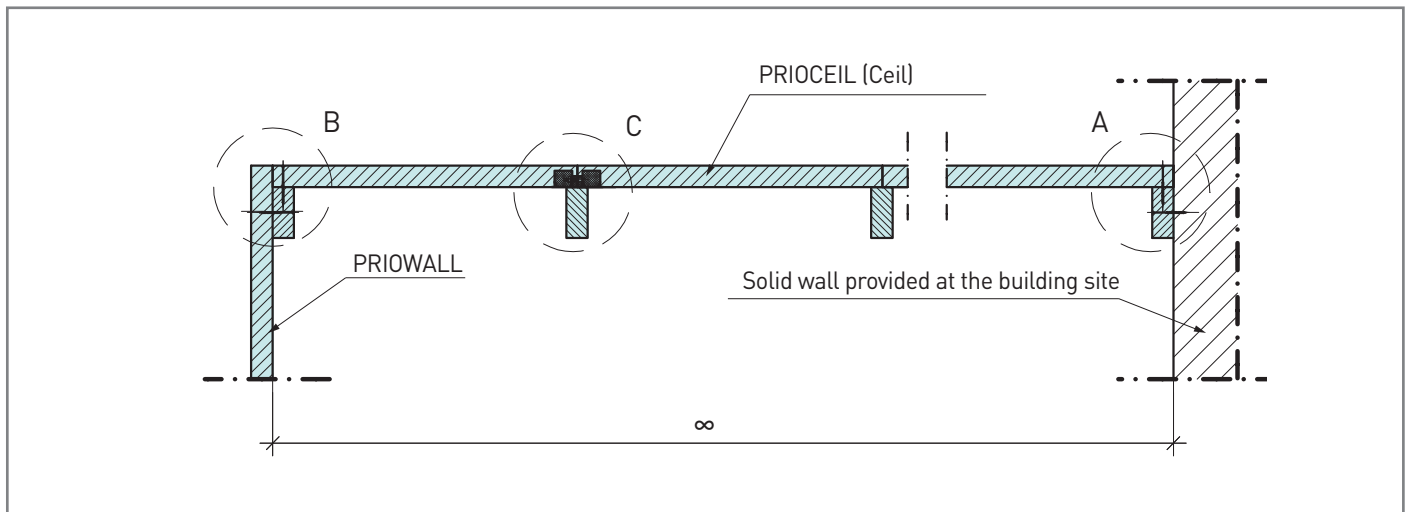




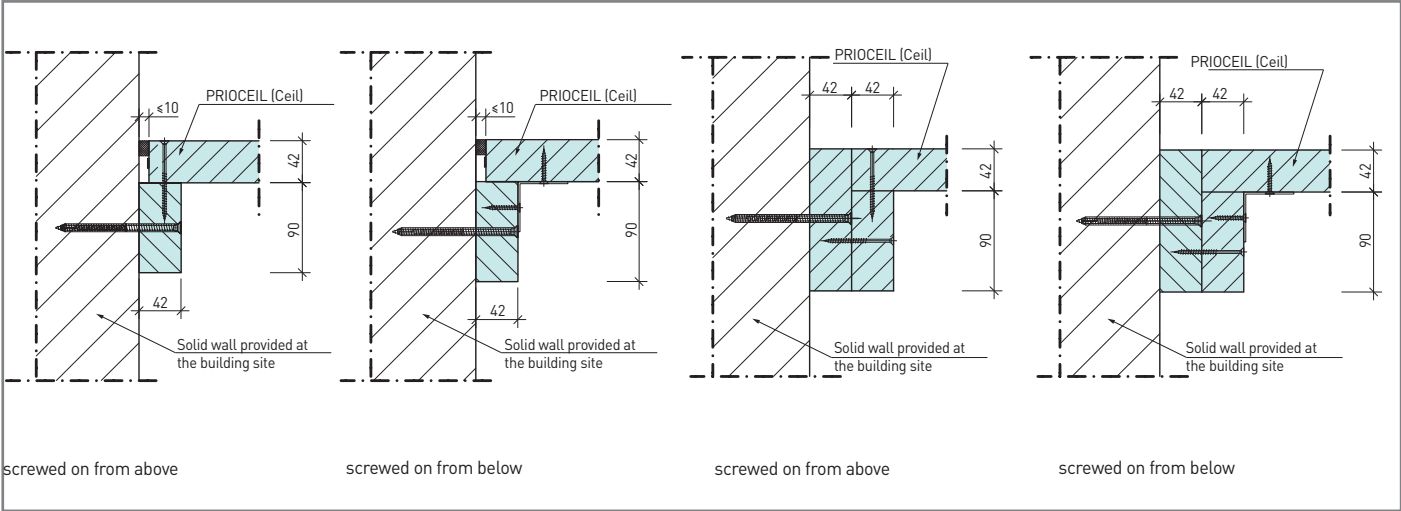
Cut-out BB



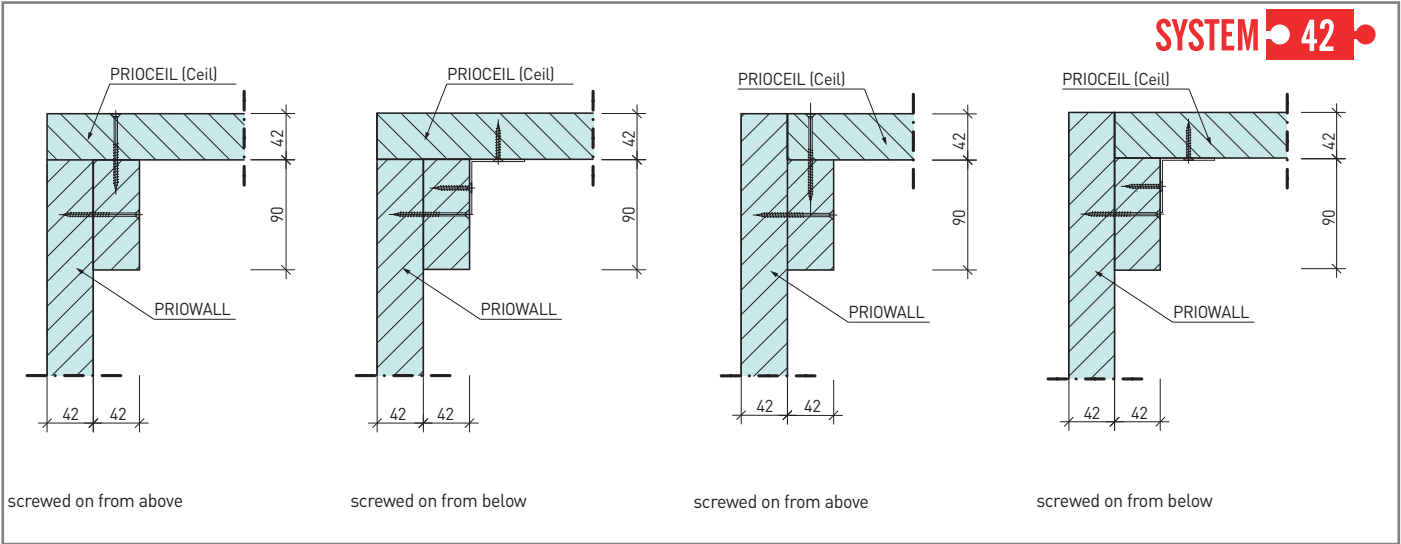
Cut-out CC



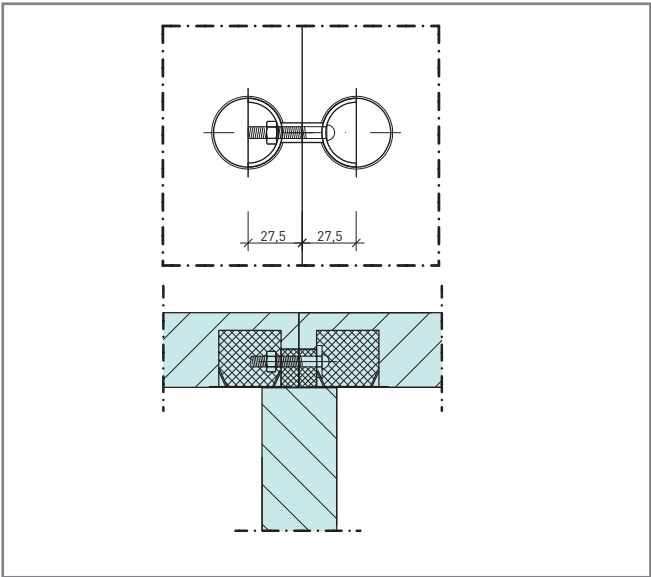
Cut-out DD



Detail A – PRIOCEIL connection details on solid wall



Detail B – PRIOCEIL connection details on PRIOWALL



Detail C

Subject to technical changes. | Status: 21.05.2024