



SYSTEM 42

PRIODOOR ETX

Inspection Opening Closure for special solutions

All-round tightly closing inspection opening closure for flush mounting in the installation shaft wall, optionally as shoring on the installation shaft wall. The closure is available single-leaf or double-leaf and is suitable for large-scale compliant partitioning of installation shafts and the partitioning of measuring equipment and distributors in escape routes. The closure is tightly sealed all around and offers a fire resistance of 30/90 minutes.

Function

- 30/90 minutes fire resistance, fire retardant/fire resistant
- EI 30 i→o, EI 90 i→o classification
- Smoke protection
- Leak-proof closing



■ Circumferential block frame 55 mm



■ Circumferential fire and smoke protection seals



■ Profile single cylinder

PRIODOOR ETX - Special solution for possible design options:

- Three-sided frame design
- Panic function - can be opened from the inside by means of a lever handle
- Width of single-leaf closures greater than 1.00 m
- Glass insert in the door leaf
- Installation without frames with PRIOWALL Wall elements
- Dimensions on request

Construction

- Inspection opening closure with high mechanical resistance
- Flush mounting or for installation on the wall
- Single and double-leaf design
- Circumferential block frame 55 mm wide, 42 mm deep
- Circumferential smoke and fire seals, expand automatically in the event of a fire
- Door closes flush with frame, opening angle ca. 180°
- Single to triple latch lock, depending on door height
- Locking system with single cylinder
- Door stop position DIN right, optionally DIN left



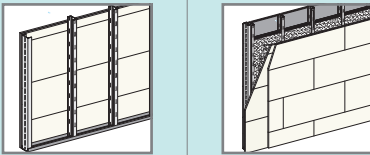
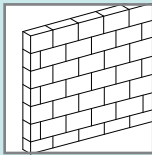
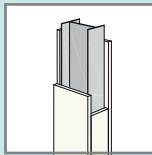
Material characteristic



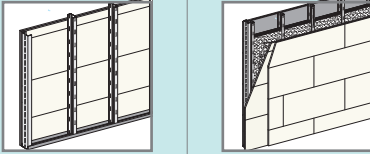
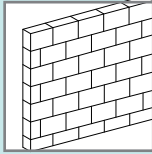
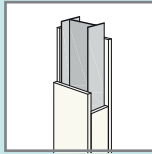
- Non-combustible board with surface coating, classification A2 – s1, d0
- Standard CPL surface
- Colour light grey, similar to RAL 7035, edges and bevels in different colour

Scope of delivery

- PRIODOOR ETX as a kit

Dimensions for individual sizes

	 <p>Wall PRIOWALL</p>	 <p>GRP stud wall planking on one side planking on both sides</p>		 <p>Solid Wall</p>	 <p>Steel columns, clad</p>
	Installation type			Width min - max [mm] Hight min - max [mm]	
single-leaf	Flush installation			$\frac{490 - 1305}{490 - 2515}$	
	Mounting on the wall			$\frac{490 - 1305}{490 - 2515}$	
double-leaf	Flush installation			$\frac{990 - 2485}{490 - 2515}$	
	Mounting on the wall (floor-level installation)	$\frac{990 - 1200}{490 - 2000}$	oder	$\frac{1200 - 1675}{490 - 1450}$	

	 <p>Wall PRIOWALL</p>	 <p>GRP stud wall planking on one side planking on both sides</p>		 <p>Solid Wall</p>	 <p>Steel columns, clad</p>
	Installation type			Width min - max [mm] Hight min - max [mm]	
single-leaf	Flush installation			$\frac{340 - 1250}{340 - 2500}$	
double-leaf	Flush installation	$\frac{600 - 2500}{686 - 2500}$		$\frac{600 - 1675}{686 - 2500}$	

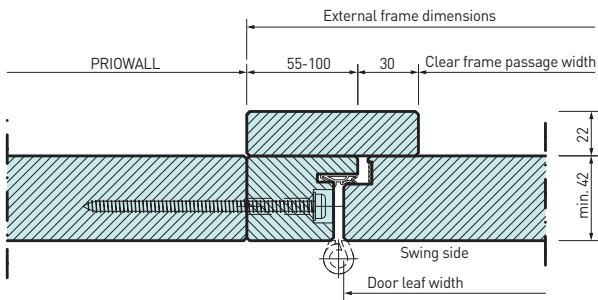
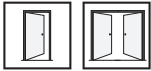
Installation details



Installation in PRIOWALL wall system

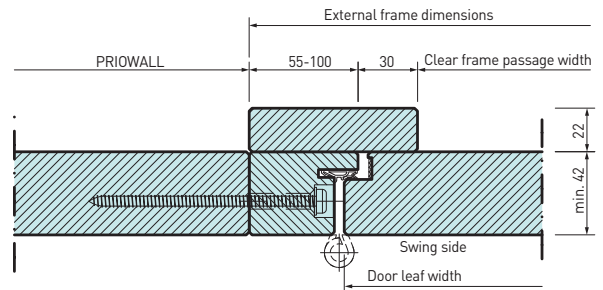
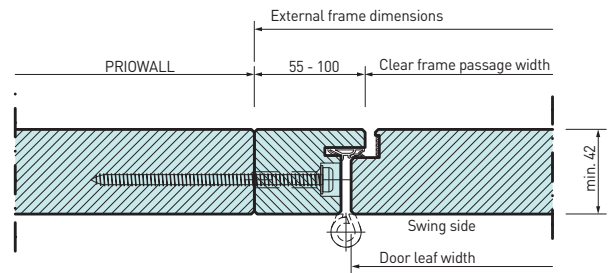
Fire Resistance 30 Min.

Flush installation

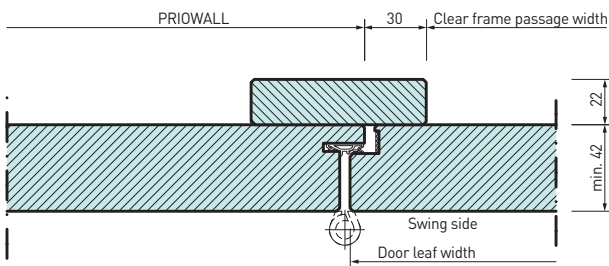
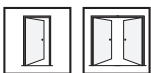


Fire Resistance 90 Min.

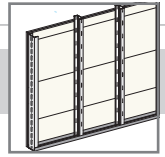
Flush installation



Flush installation, installation does not use frames



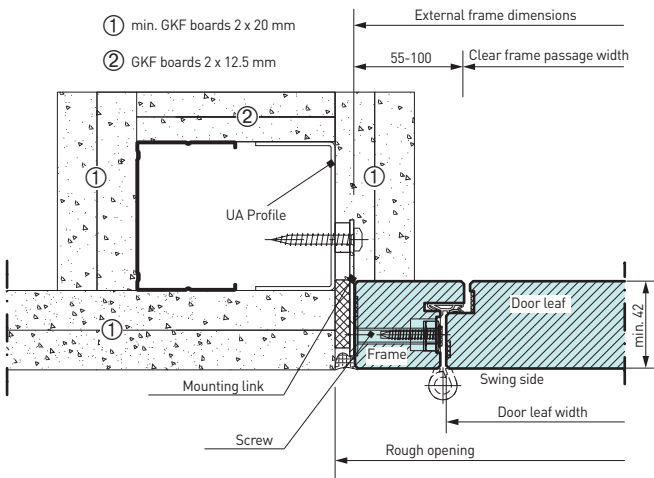
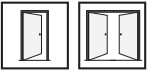
Installation details



Installation of GRP shaft wall

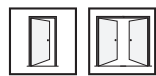
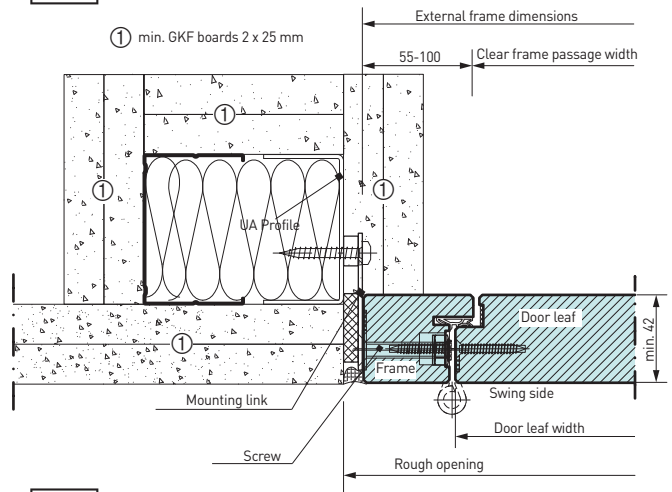
Fire Resistance 30 Min.

Flush installation

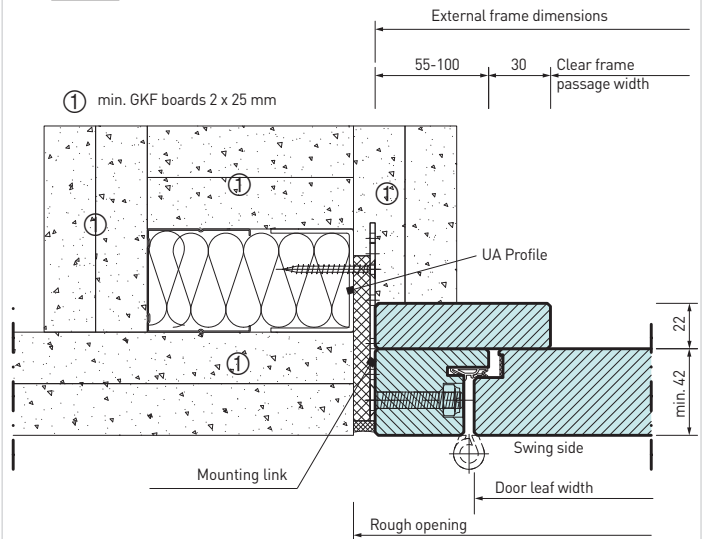
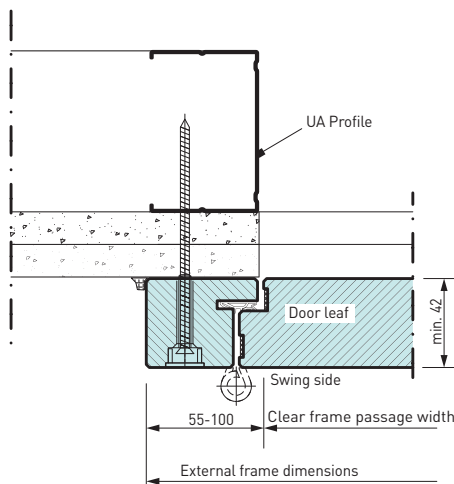


Fire Resistance 90 Min.

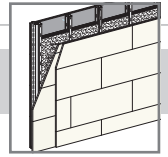
Flush installation



Mounting on the wall



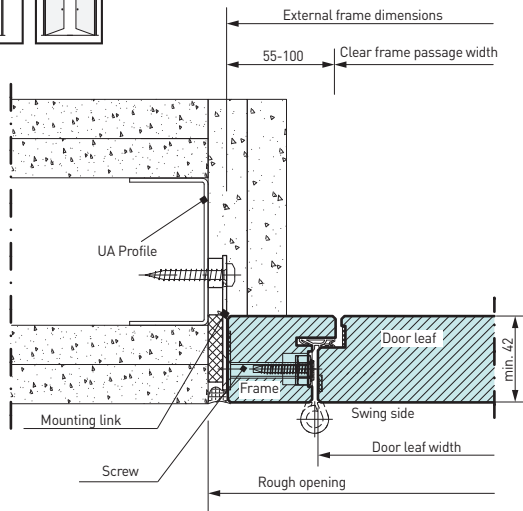
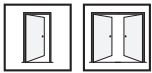
Installation details



Installation in GRP metal stud wall

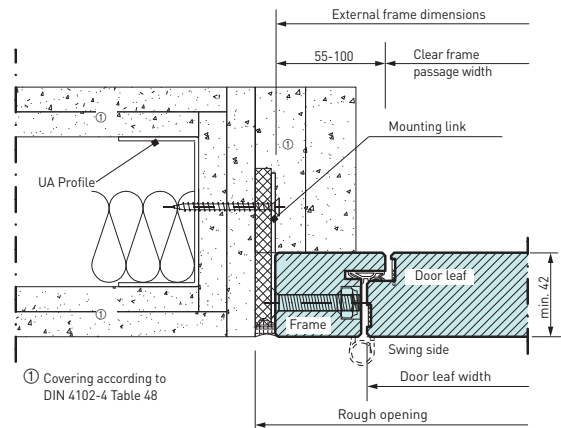
Fire Resistance 30 Min.

Flush installation

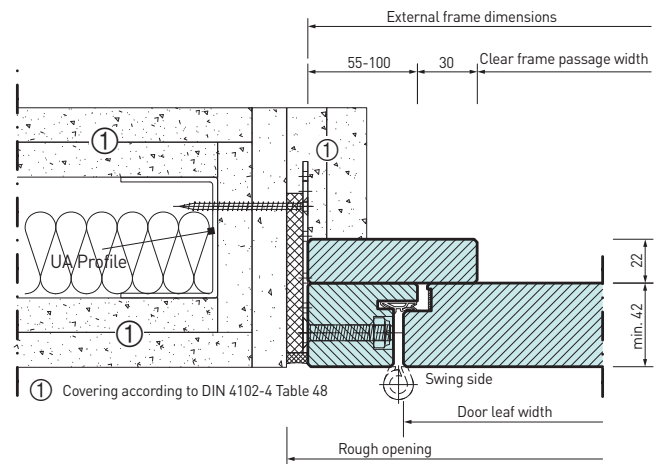
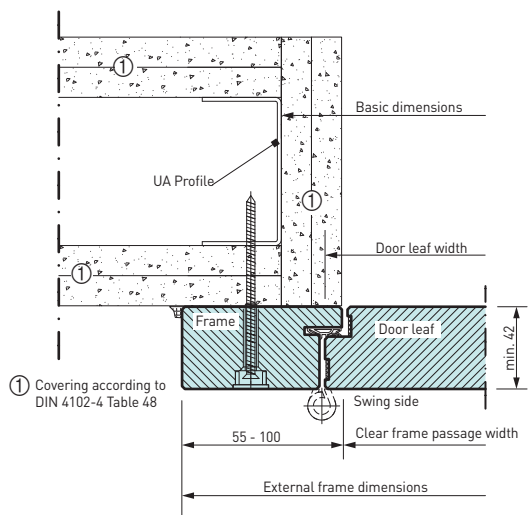
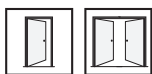


Fire Resistance 90 Min.

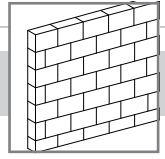
Flush installation



Mounting on the wall



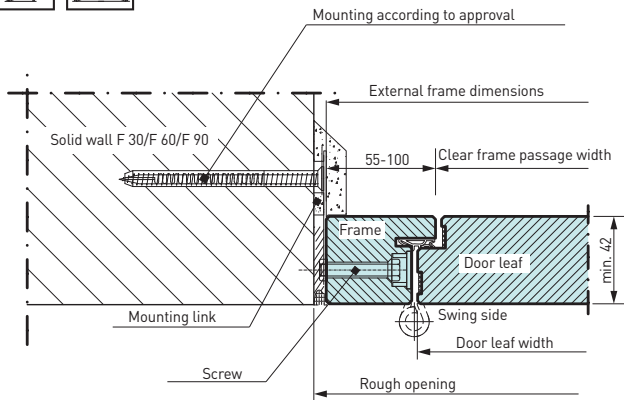
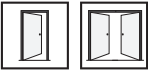
Installation details



Installation in solid wall

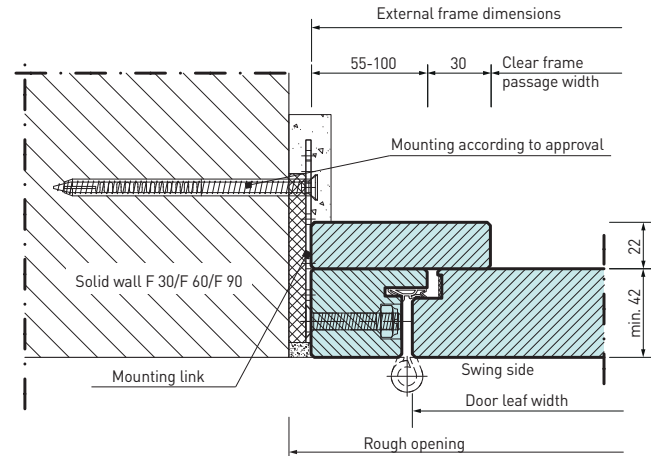
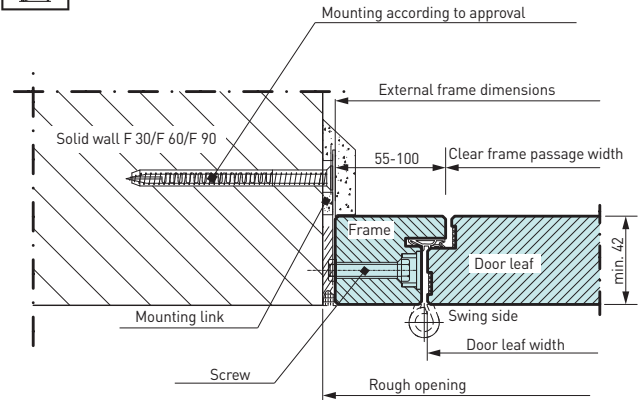
Fire Resistance 30 Min.

Flush installation

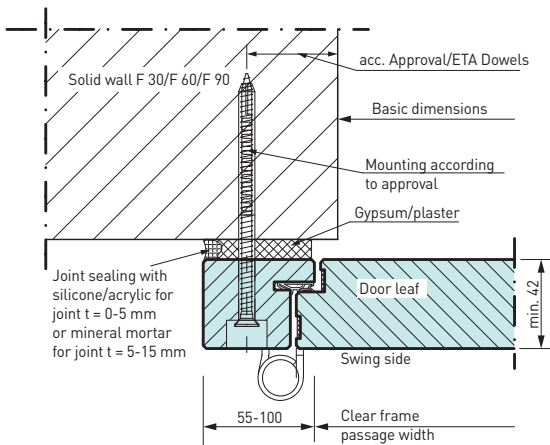
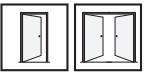


Fire Resistance 90 Min.

Flush installation



Mounting on the wall

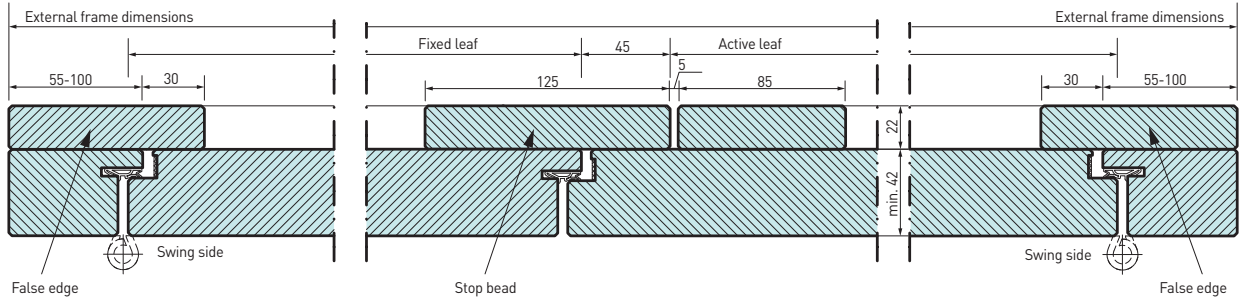


Installation details

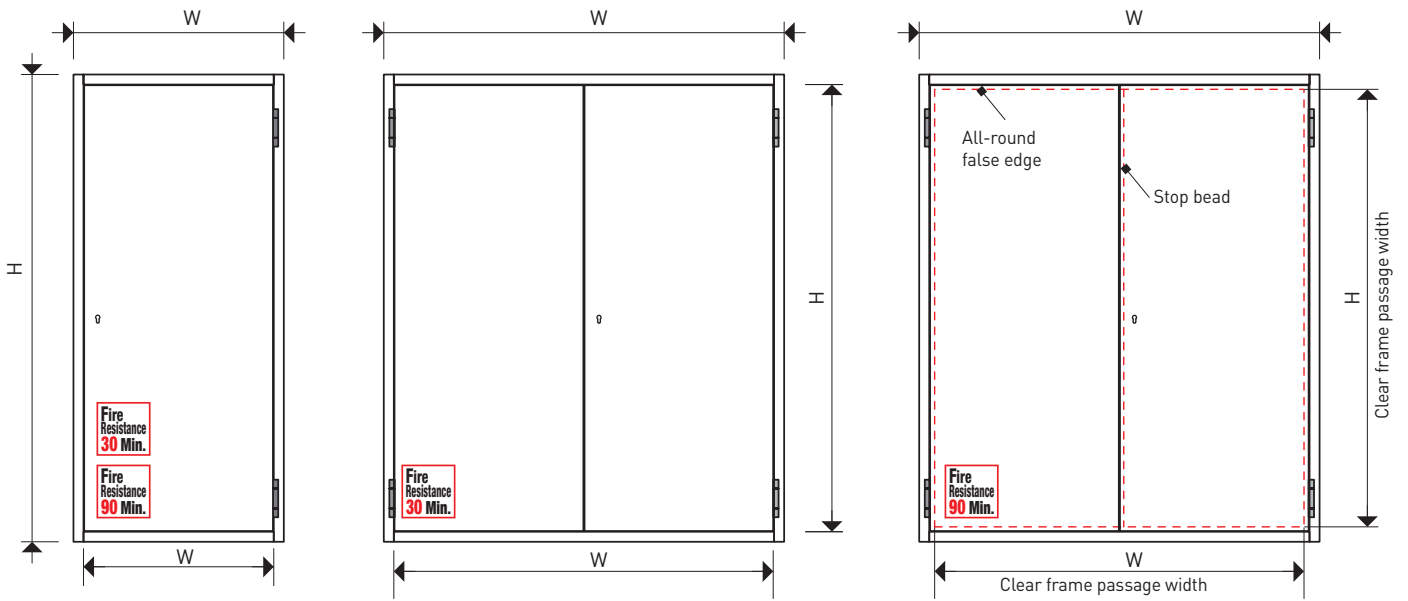
More installation details



Detail 2-leaf PRIODOOR ETX fire resistant design with overlap

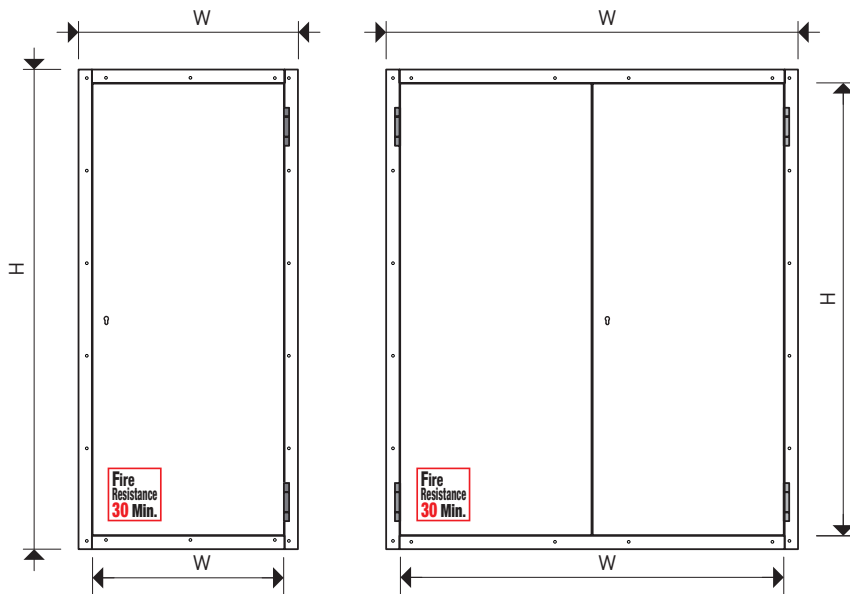


PRIODOOR ETX Inspection Opening Closure for special solutions



PRIODOOR ETX – Flush and centered installation

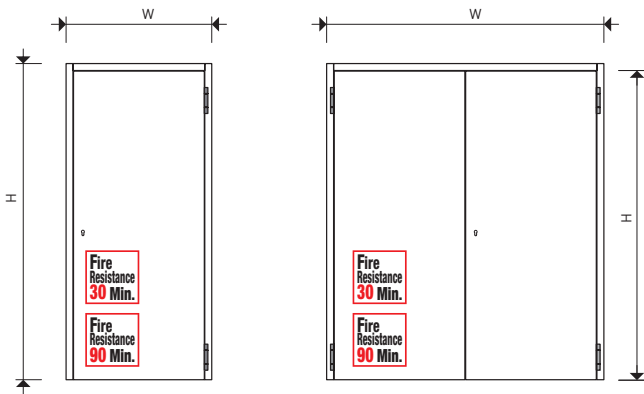
Applies only to double-leaf PRIODOOR ETX, fire resistance 90 minutes



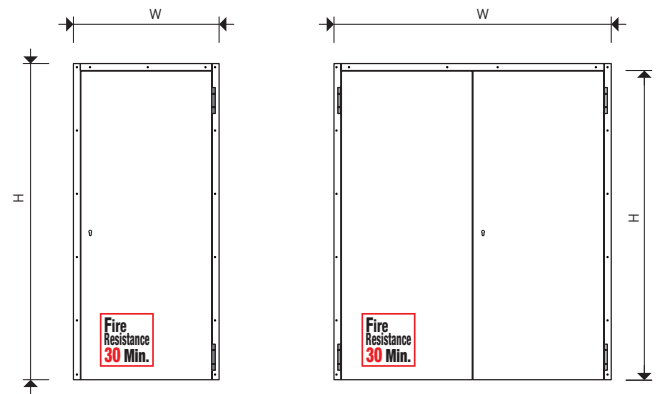
PRIODOOR ETX-AW – Mounting on the wall

PRIODOOR ETX-AW is offered on a project-by-project basis

Variants: PRIODOOR ETX with with three-sided frame and lowerable floor sealing



PRIODOOR ETX (ETX-3S-SAF) – with three-sided frame and lowerable floor sealing



PRIODOOR ETX (ETX-3S-AW-SAF) with three-sided frame – Installation on the wall



Subject to technical changes. | Status: 21.05.2024

Options and accessories

- All PRIORIT surfaces, see pages 44
- Priming film - can be painted on-site
- Aluminium decor
- Technical ventilation on request



- F 90 glass in the door leaf

Art.	Accessories
Door accessories / locking cylinder	
D-DGR-V2A	Stainless steel door handle set, 1 door handle female part, 1 door handle rosette, half spindle 8 x 62 mm, adapter sleeve 9/8 mm, profile cylinder rosette, for right-hand doors (ETX)
D-DGL-V2A	Stainless steel door handle set, 1 door handle female part, 1 door handle rosette, half spindle 8 x 62 mm, adapter sleeve 9/8 mm, profile cylinder rosette, for left-hand doors (ETX)
DZ-ROS1	Door lock cylinder rosette on one side
DZ-SH4VA	Turning lever V4A 1.4571, including square shaft 9 mm
DZ-Panik-E	Automatic multipoint lock with panic function E
REV-KRGRIF-F-V2A-D80	Hinged ring handle V2A including square shaft 9 mm (80 mm diameter)
EP.B.9484	Single cylinder 30/10, senate closure, incl. 2 cruciform keys 75 mm
EP.B.6645	Single cylinder – simultaneous locking without rosette
EP.B.8716	Single cylinder keyed-differently without rosette
EP.E.8858	Magnet Reed Contact Set, Contents: 1 magnet, 1 reed contact with 4.0 m connection cable LIYY 4 x 0.14 mm ² , 2 housings, 2 spacer plates, 2 flanges and 4 antimagnetic fixing screws (V4A)
Mounting hardware	
ETX-BS	Mounting hardware for solid wall and GRP-shaft wall; flush installation
ETX-AW-BS	Mounting hardware for solid wall and GRP-shaft wall; mounting on the wall

