



- PRIOWALL**
- + Inspection closures
 - + Smoke dampers
 - + Accessoire bulkhead
 - + Accessoire ventilation



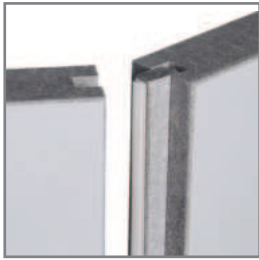
PRIOWALL

Wall System

Single-layer, fire-resistant wall system with various surfaces for the formation of interior partitions for room closures, fire areas, etc. The PRIOWALL wall system consists of coated non-flammable wall panels of 42 mm in thickness, which can be easily and neatly constructed, converted and expanded using various joining technologies.

PRIOWALL is a component of the „System 42“ modular fire protection system and is suited for the installation of PRIORIT system components such as fire-protection closures, inspection opening closures, smoke-extraction flaps, fire dampers and bulkheads or ventilation elements.

Possible connection technologies



■ Concealed tongue and groove system



■ Concealed Screw cap and hook closure



■ Concealable wall connector (standard)

Function

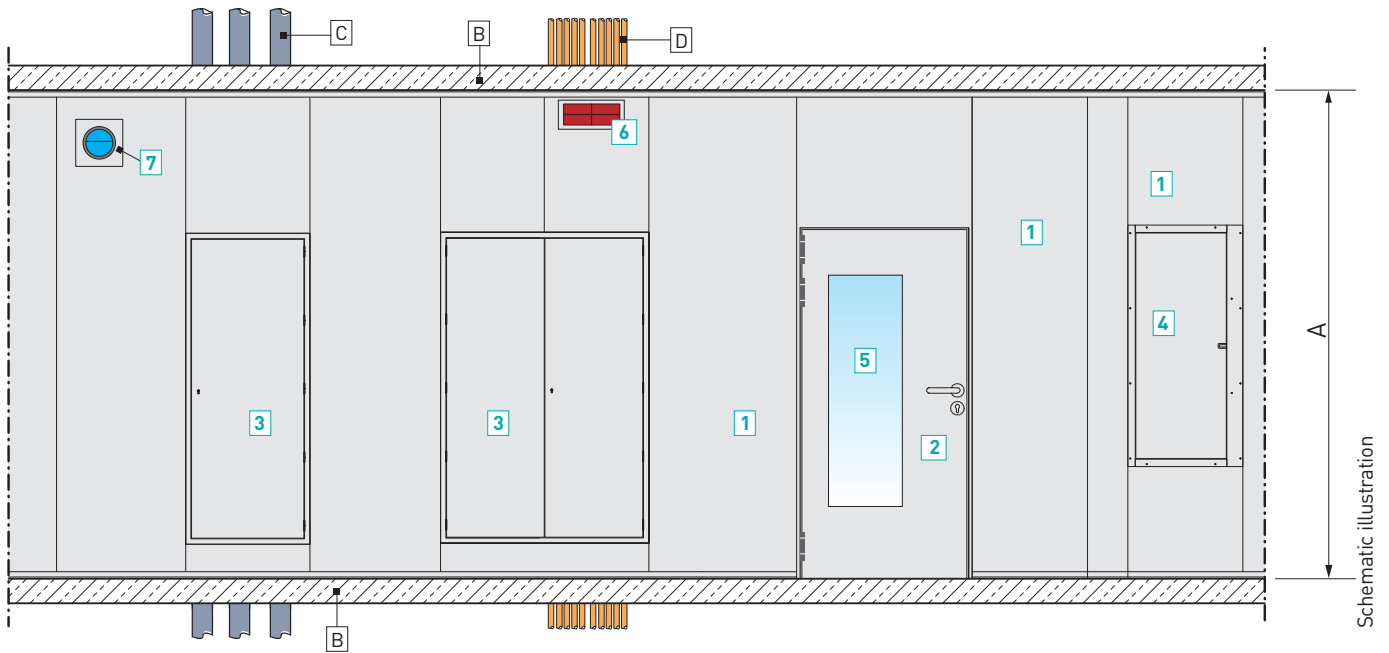
- 30/90 minutes fire resistance, fire retardant/fire resistant
- EI 30, EI 90 classification

Material characteristic

- Non-combustible board with surface coating, classification A2 – s1, d0
- Standard CPL surface
- Colour light grey, similar to RAL 7035, edges and bevels in different colour

Construction

- Single-ply, highly stable prefabricated elements
- Construction possible in I-shape, L-shape and U-shape
- Planning on a project-by-project basis, manufacturing and installation
- Overall height up to 4 m, unlimited width
- Ceiling construction with PRIOCEIL



Legend:

- A Wall height \leq 4000 mm
- B Existing ceiling / floor

- C Piping installations across floor levels
- D Cable installations across floor levels

SYSTEM 42 Components

- 1 Wall system PRIOWALL
- 2 Fire Resisting Closure PRIODOOR FSA
- 3 Single to double-leaf inspection opening closures PRIODOOR ETX/PRIODOOR RTX/PRIODOOR RTH
- 4 Smoke damper PRIODOOR ETX RDA (vertical/horizontal)

Accessoires

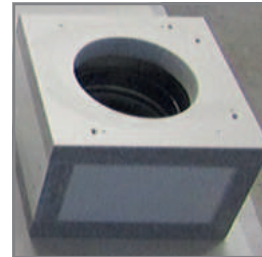
- 5 Fire protection glass for inspection opening closures (PRIODOOR ETX) and fire resisting closures (PRIODOOR FSA)
- 6 Cable and pipe bulk head for wall
- 7 Fire protection flap for wall



■ Pipe and cable bulkheads



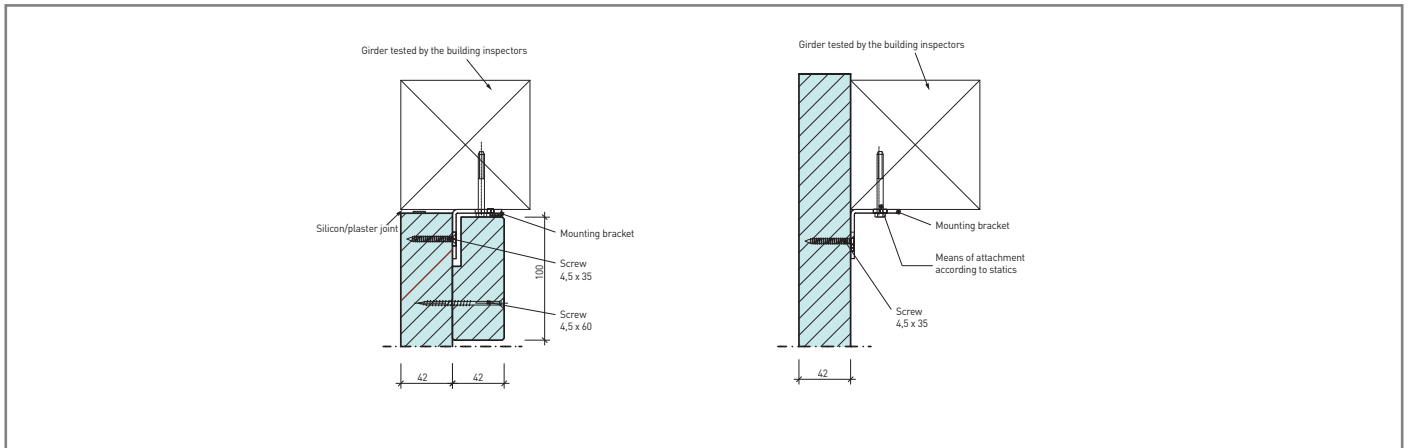
■ Fire protection flap



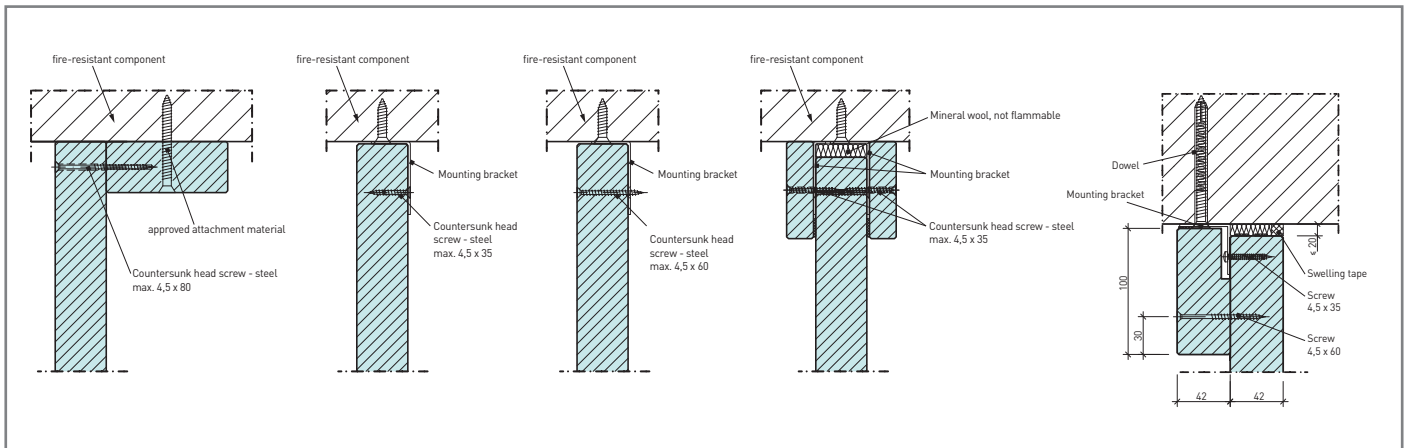
■ Fire protection flap BSK

PRIOWALL is offered on a project-by-project basis

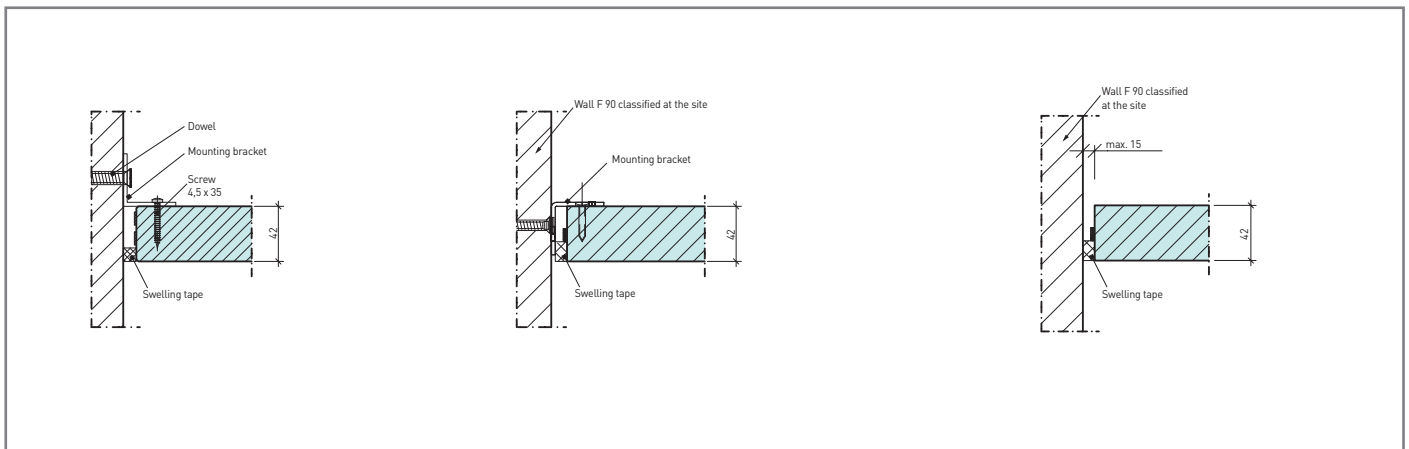
Assembly details



Connections to paneled steel girders/supports



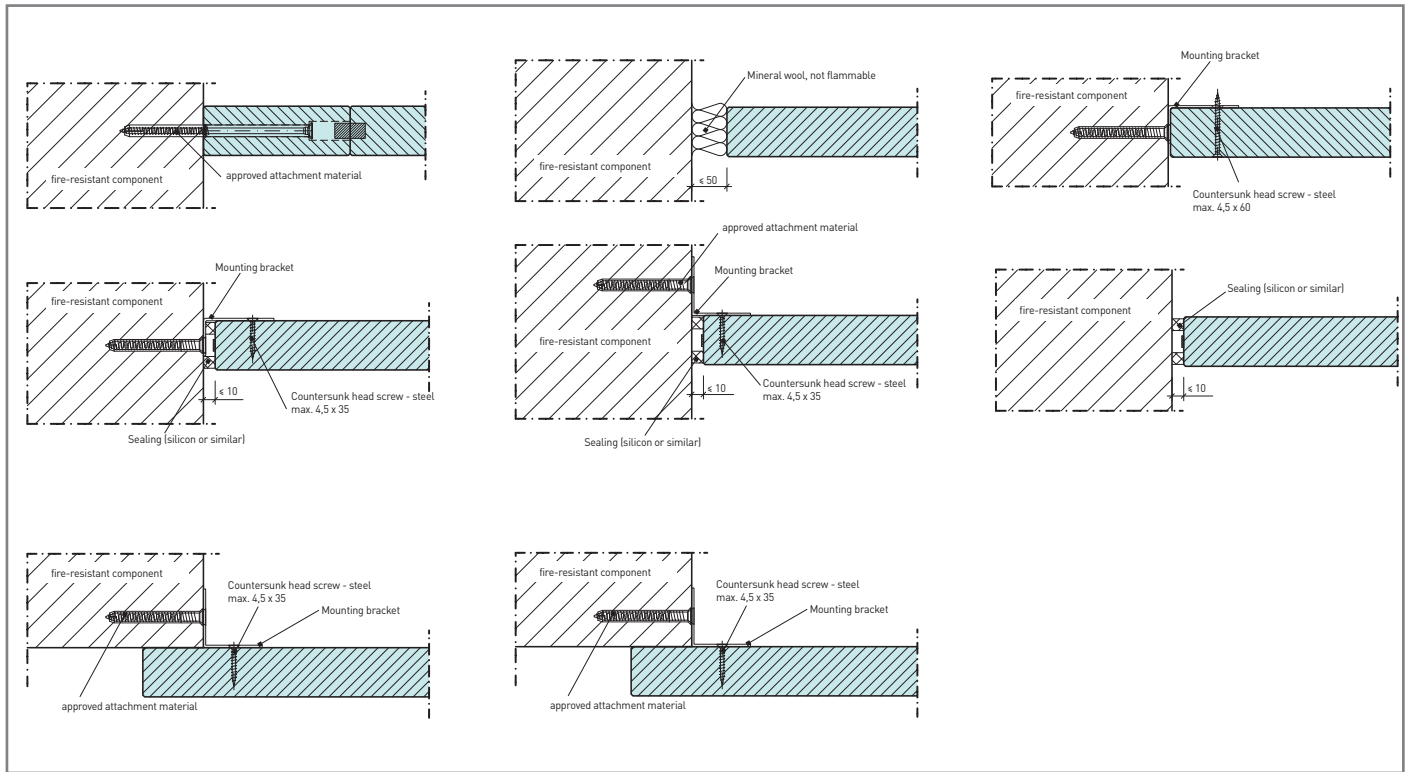
Ceiling connections



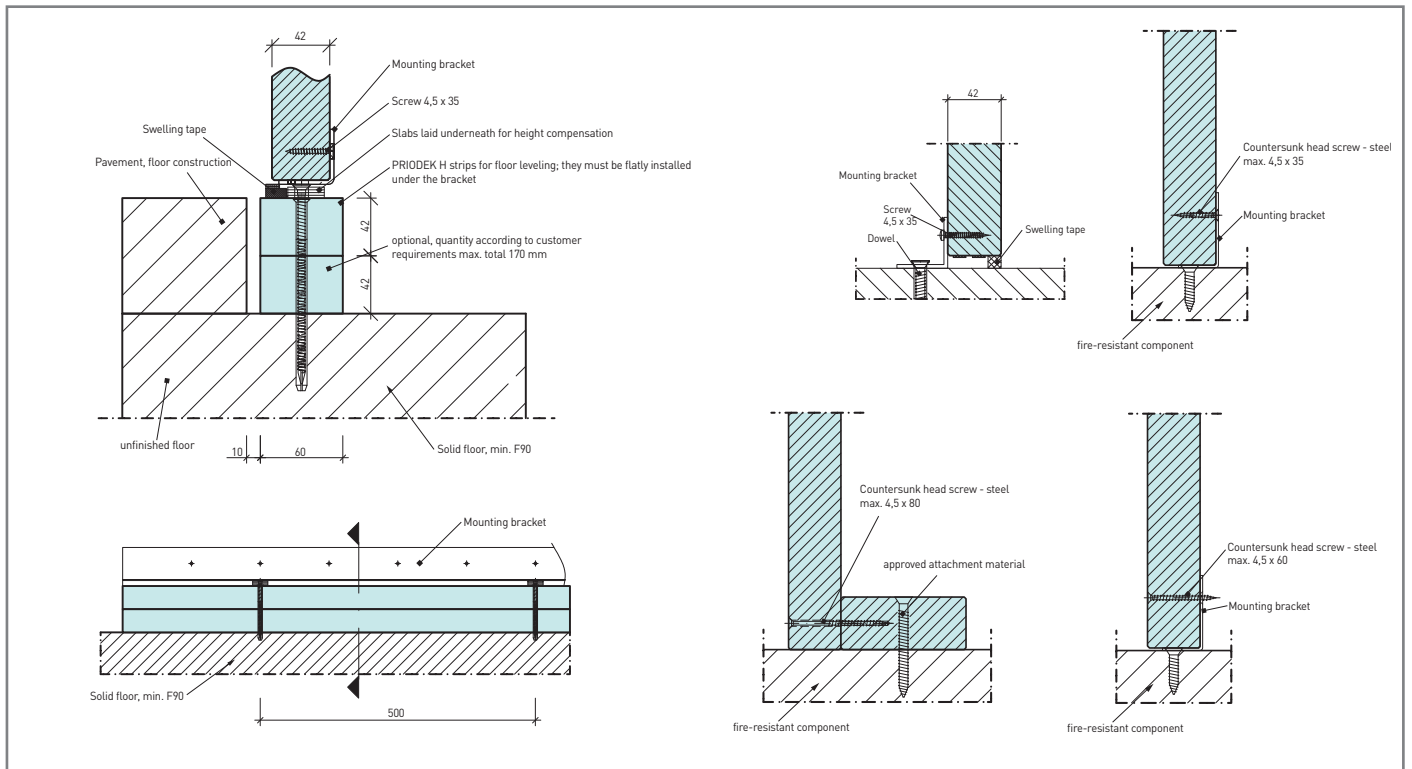
Wall connections

Note: The currently valid certificates and installation instructions apply. Subject to change without notice.

Assembly details



Wall connections

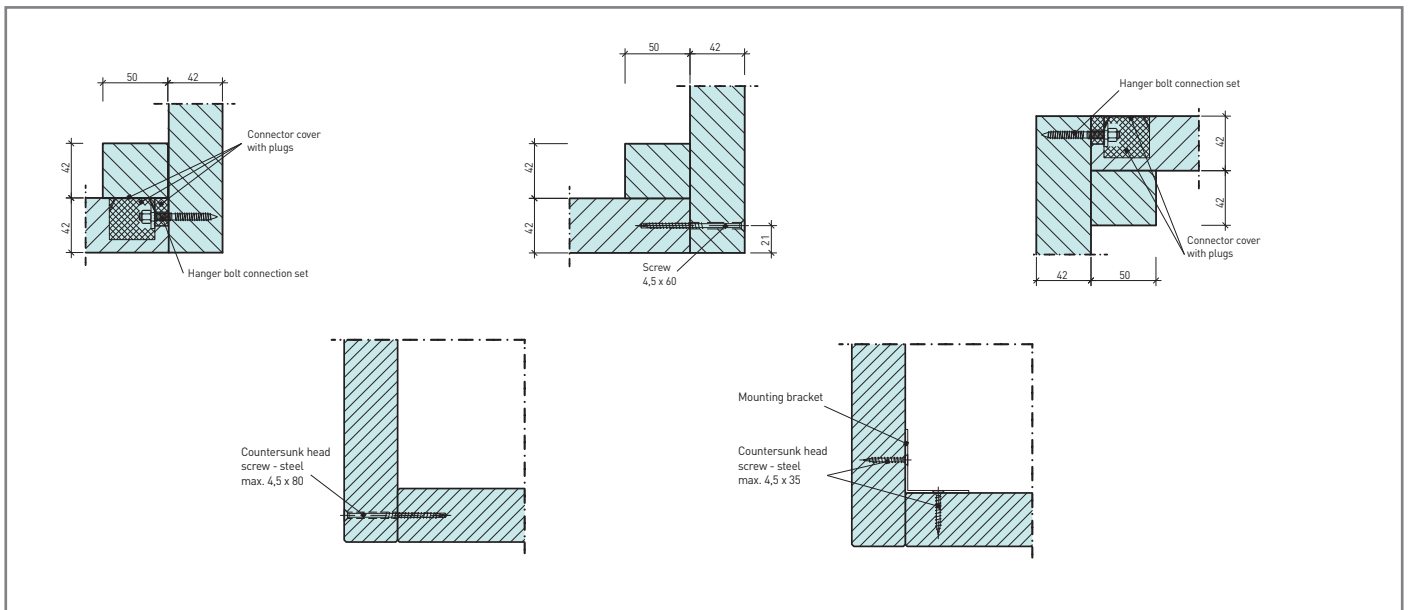


Floor connections

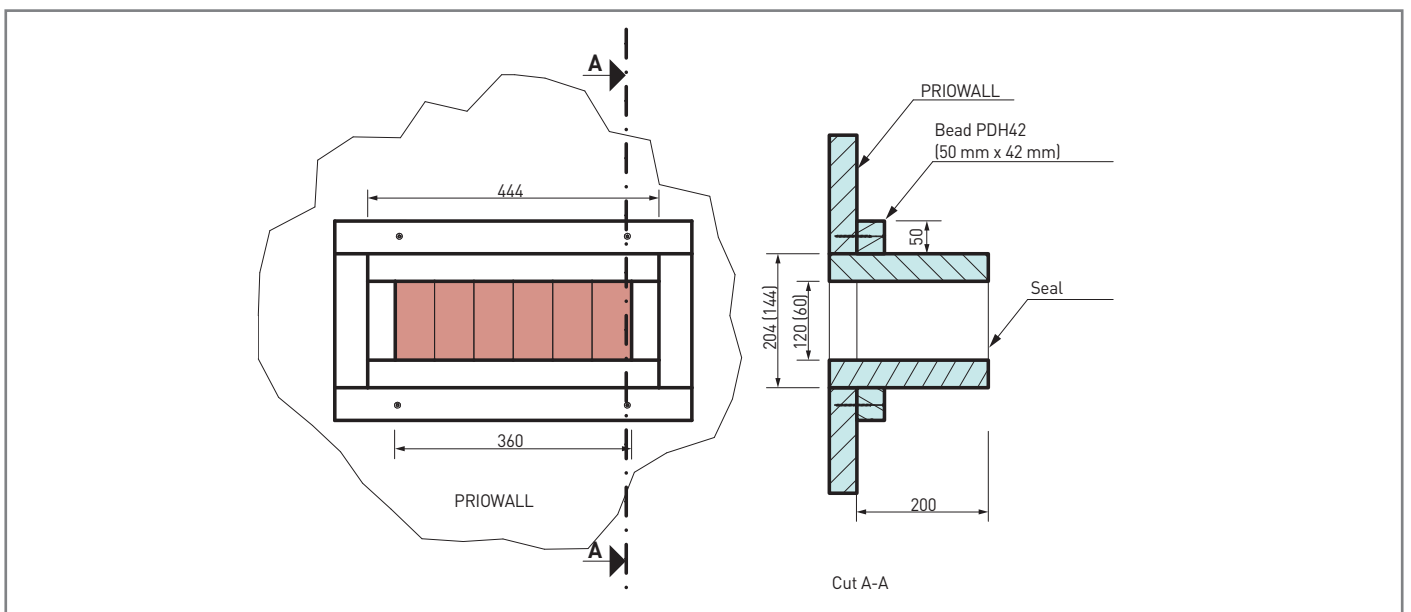
Note: The currently valid certificates and installation instructions apply. Subject to change without notice.

Subject to technical changes. | Status: 21.05.2024

Assembly details



Corner connections



Penetration seal

Note: The currently valid certificates and installation instructions apply. Subject to change without notice.