

Assembly manual

Ventilation unit EBEL-VENT-L230R2-OT



Before putting into operation, check the function of the smoke detector!

Caution/Warning/Attention

Danger to persons from electric current.

Info:

Warning 230 Vac

Dangerous voltage. May cause death, serious physical injury or considerable damage to property. Disconnect all poles of the unit from the power supply before disassembling/assembling or changing the setup. Observe VDE 0100 for 230 Vac mains connection.

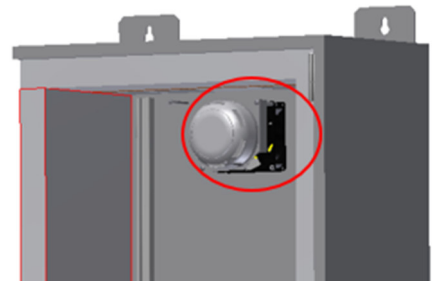
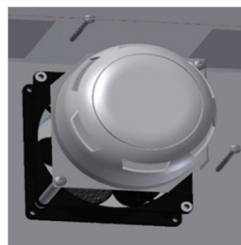
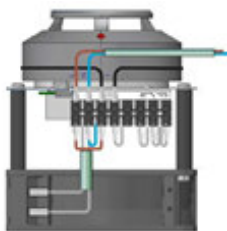
Only qualified electricians are permitted to open the door and work in the cabinet.

Environmental protection

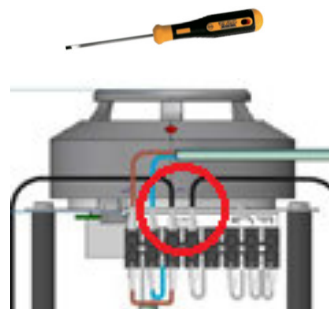
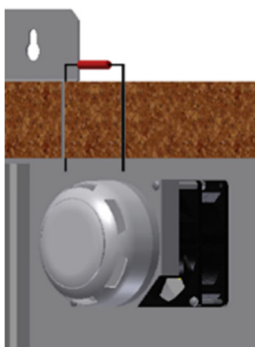
Electrical waste products should not be disposed of along with household waste. Please recycle electrical components at a designated place. You can obtain advice on proper recycling from your local authority.

Install the ventilation unit:

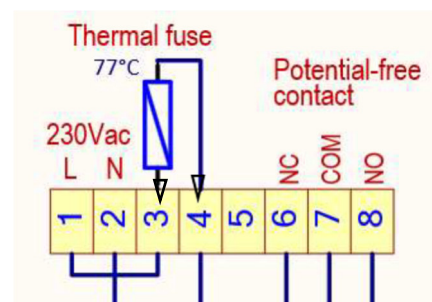
Position the ventilation unit in the fire protection enclosure above the ventilation opening and fasten it with the two enclosed fastening screws



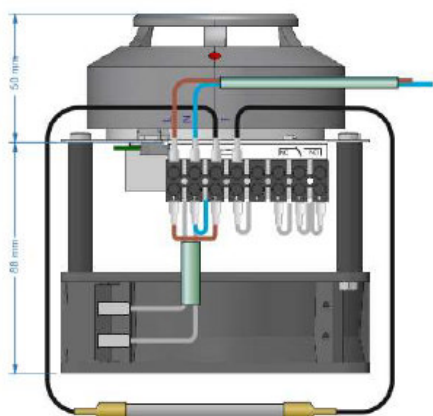
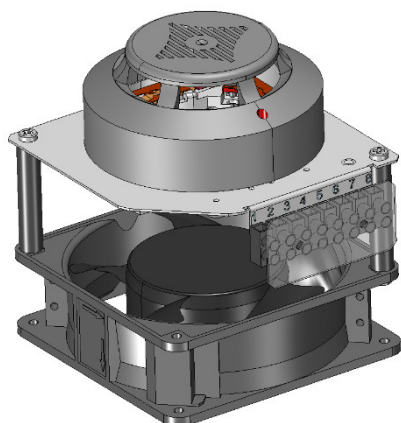
Connect thermal fuse



Wiring diagram



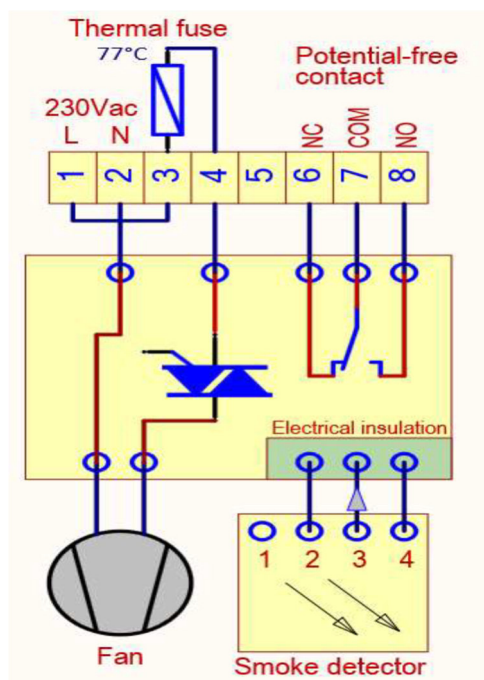
Ventilation unit: technical specifications



Power supply	
Rated voltage	220-240 Vac 50Hz 185~245
Operating voltage range	Vac 50Hz
Power consumption	0.14 A
Description of work	Max. 30 W
Fan	
Speed	2850 r/min
Air flow	164 m ³ /h
Static pressure	8.64 mmH ₂ O
Noise level	45 dB(A)
Operating temperature	-10...70 °C
Thermal fuse	
Safety level	77°C
Output relay	
Contact load	max. 48 Vdc/1A

Smoke detector	
Type	SPD-3.1M
Manufacturer	Arton UA
Light signalling	Red LED
Connection method	2-wire line
Power supply	10...30Vdc
Monitoring current	95µA
Electricity for alarm	6...30mA
Average life	10 years
Degree of protection	IP32
Operating temperature	-30...+55 °C
Compliance with standards	EN 54-7

Wiring diagram



Protection class 2:

The subsequent use and attachment of protective conductors within the enclosure of protection class 2 is not permitted.