

Assembly manual

Ventilation unit EBEL-VENT-L24R2-OT



Before putting into operation, check the function of the smoke detector!

Caution / Warning / Attention

Danger to persons from electric current.

Only qualified electricians are permitted to open the door and work in the cabinet.

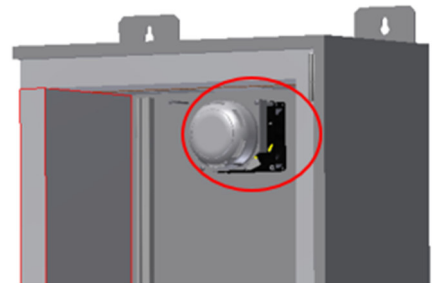
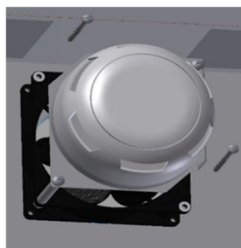
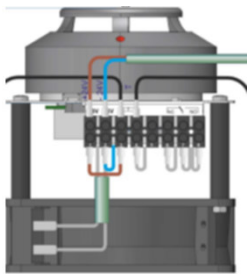


Environmental protection

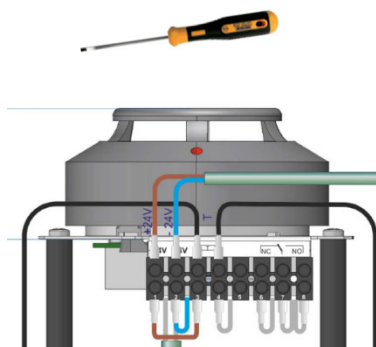
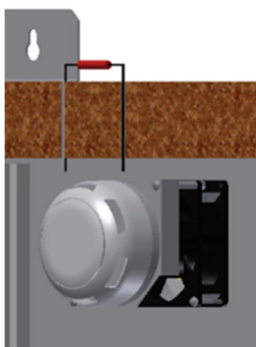
Electrical waste products should not be disposed of along with household waste. Please recycle electrical components at a designated place. You can obtain advice on proper recycling from your local authority.

Install the ventilation unit:

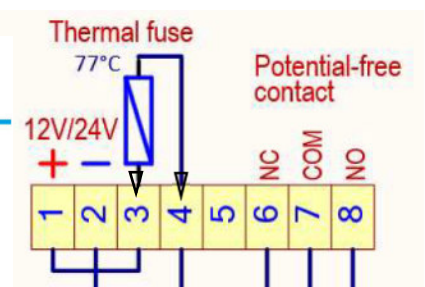
Position the ventilation unit in the fire protection housing above the ventilation opening and fasten it with the two enclosed fastening screws



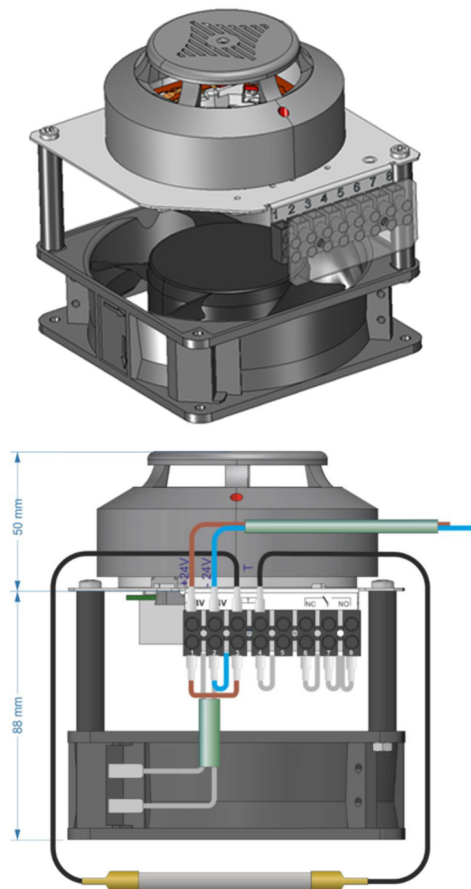
Connect thermal fuse



Wiring diagram



Ventilation unit: technical specifications

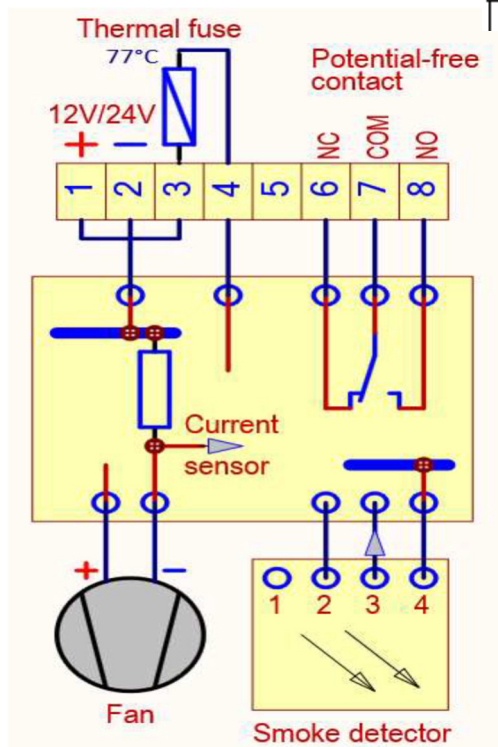


Stromversorgung		
Betriebsspannung	10 ...28Vdc	
Nominalspannung beim Betrieb	12Vdc	24Vdc
Stromaufnahme (Betrieb/Alarm)	0,23A 14mA	0,53A 49mA
Leistung (Max)		
-Betrieb	3,2W	15W
-Alarm	0,2W	1.4W
Lüfter		
Drehzahl	3100 U/min	
Luftstrom	234 m³/h	
Statischer Druck	9.14 mmH ₂ O	
Lärmpegel	48 dB(A)	
Betriebstemperatur	-10...70 °C	
Thermosicherung		
Sicherheitsstufe	77°C	
Ausgangsrelais		
Kontaktbelastung	Max. 48Vdc/1A	

Rauchmelder	
Typ	SPD-3.1M
Hersteller	Arton UA
Lichtsignalierung	Rote LED
Verbindungsmethode	2-Draht-Leitung
Spannungsversorgung	10...30Vdc
Überwachungsstrom	95µA
Strom für Alarm	6...30mA

Durchschnittliche Lebensdauer	10 Jahre
Schutzgrad	IP32
Betriebstemperatur	-30...+55 °C
Die Einhaltung der Standards	EN 54-7

Wiring diagram



Protection class 2:

The subsequent use and attachment of protective conductors within the enclosure of protection class 2 is not permitted.