

Assembly and operating manual

Electrical slip-on enclosure

PRIOELEC EUL

Contents

Important notes.....	4
General safety information	5
Intended use	5
Transportation	6
The most important facts at a glance	7
General information	7
Information in this manual	7
Installation conditions of fire protection enclosures.....	7
Special features.....	8
Included in delivery.....	8
Warranty, transfer declaration	8
Intellectual property rights	9
Installation.....	10
Functional test, safety check, care and maintenance	14

Dear customer,

Thank you for purchasing a high-quality PRIORIT product.

To ensure we can guarantee that the entire system will function free from errors, please carefully observe the following operating manual.

Failure to observe this manual will void any warranty guarantees.

We expressly reserve the right to make technical changes for the purpose of improving our product, or as required by changes to the law – including without any separate notification.

This operating / assembly manual may not be reprinted or duplicated in whole or in part without the written approval of PRIORIT AG.

PRIORIT AG

Tel.: 06181 3640-0, Fax: 06181 3640-210

E-mail: info@priorit.de , www.priorit.de

Important notes



The product must be fitted flush and level!



When storing individual parts, do not place them on the corners and cover the storage area with soft material beforehand, e.g. with a packing blanket!



Transport the enclosure with at least 2 persons!

General safety information

- This operating / assembly manual must always be stored at the location where the fire protection enclosure will be used.
- Legally required safety information must be posted in an area visible to users.
- All safety and hazard notices and the type plate must be kept in legible condition.
- Observe the relevant VDE regulations.
- Observe the requirements of the fire authorities.
- Observe the general building law and the building regulations.
- Observe the accident prevention guidelines and the workplace directive.
- Instructions given by the technical supervisory service must be followed.
- Observe the relevant standards for assessing fire protection and construction aspects.
- Only use products that are in proper working order.
- Ensure that the required safety checks are carried out by personnel authorised by us.
- Damage and malfunctions that are possible due to improper transport and installation due to the heavy weight can only be safely avoided by specialist personnel trained and authorised by us.
- Impairment of the stability of the enclosure when the doors are open must be expected if the enclosure has not yet been screwed to the building structure.
- The swivel range of the door must always be kept clear.
- Observe the technical information in our catalogue or data sheet for the respective product.
- Note the sum of the power losses of the installed devices and wiring compared to the specified power loss of the enclosure. The indicated power losses are idealised values, they are based on average ambient values such as temperature, humidity, mounting surface, uniform arrangement of the switching elements, etc.
- Furthermore, please note that depending on the placement of the installed elements, "heat pockets" can form, therefore ensure that the installations are distributed as evenly as possible; if necessary, this should be checked by means of a control measurement in the interior.
- Unauthorised persons must not be allowed access to the enclosures.
- The doors of the enclosures must be kept closed during operation.
- Improper installation may impair the protective function.
- Observe all instructions in these operating and maintenance instructions.
- Screwing to the building structure may only be carried out with approved and suitable screws/dowels.
- The suitability of the screws/dowels must be checked depending on the building.
- The enclosures must not be glued, painted or otherwise coated.
- The enclosures must not be damaged on the body (holes, screws).
- The locking systems must not be changed or replaced.

Intended use

- The products described in these operating/assembly instructions are manufactured in accordance with the state of the art and the recognised safety regulations.

They may only be:

- used as intended and
- used when they are safe and in good working order
- The enclosures consist of coated, non-metallic plate-shaped components. The edges are colour-coded.
- The cable glands have a fire resistance corresponding to the duration of the classification if the cables are inserted correctly and are smoke-tight in the sense of a cable (smouldering) fire if they are installed correctly.
- When handling the products and for the correct handling of the cable entry, please follow these operating instructions precisely.
- Any other use is not deemed proper use. PRIORIT is not liable for the resulting or consequential damages.

Transportation

- The enclosures are shipped packed upright on the pallet.
- If the packaging is damaged, then the freight carrier must be notified of this in writing on the delivery slip – a “simple acknowledgement” provided to the delivering freight company will exclude recognition of damage in transit.
The same applies if any packages are missing according to the delivery slip.
- The pallet must always be picked up from the narrow side with forks inserted fully to the end of the pallet.
- Only open the pallet at the installation site, in order to prevent damage during transportation to the installation site.
- Do not use pointed or sharp objects such as knives when opening the pallet, as they may damage the enclosure. Please use caution!
- Dispose of packaging materials in an environmentally appropriate manner or reuse them.
- If the fire protection enclosure is not used or installed immediately, it must be stored in a suitable location. → do not store outdoors.
- Transport must be carried out in compliance with the safety regulations!
- Transport the enclosure upright on the transport pallet.
- Do not undo the strapping until you reach the installation site.
If the enclosure has to be turned over, this may only be done without jerking and over the entire surface of the back or side panel.
- Do not lay the enclosure on the door(s)!!
- The enclosure must be closed here.
- Please keep in mind that the fire protection enclosure is very heavy.
- It must generally be carried by at least 2 people.
- Tilting to the side or rear panel is only permitted for fitting purposes!
- In general, the enclosure may be tilted to the side or backwards by up to 45°.
- If it is tilted by 90°, then the door must be secured all around with appropriate spacer blocks – alternatively, the door panel can also be dismantled.
- In the case of 2-panel enclosures, the doors should generally be dismantled if the enclosure is to be laid on its side or back.
- The outer edges must be protected accordingly.
- The weight must be taken into account -> follow the accident prevention regulations here!
- Enclosure must be secured accordingly.



The most important facts at a glance

- Note the danger of tipping over during transport!
- Do not remove the protective film, edge protectors or other packaging material until you reach the immediate installation site!
- Pay attention to the enclosed assembly material on the protective foil or on the enclosure!
- Never transport the enclosure with the doors open!
- Always have at least 2 people transport the enclosure!
- When transporting with a forklift truck, use forks whose length is in accordance with the enclosure's dimensions.
- Watch out for any protruding parts.
- When transporting with a crane, do not step under suspended loads.
- Any damage must be reported to us immediately.
- The products must not be stored outdoors and must be protected from moisture (water).

General information

- Do not install damaged components – this will immediately void the warranty and usability certificate.
- Unless it is fitted fully and appropriately, the enclosure does not bear the required usability certificate under building approval regulations.
- Always observe building law regulations and guidelines, as well as instructions from the responsible building authority and the responsible commissioned fire protection expert.
- As the installing technician, you should only issue an unrestricted manufacturer's declaration of compliance with the building approval if installation was completed in a compliant manner. Note any necessary deviations on the declaration, if these are significant in scope.
- The swing area of the doors must always be kept clear.
- Unauthorised persons must not be allowed access to the enclosures.
- The doors of the fire protection enclosures must be kept closed during operation.
- Secure enclosures against tipping over

Information in this manual

- This manual is not a manufacturer's declaration, nor is it considered a usability certificate under building approval regulations.
- The information in this manual applies to a wide range of different products. Binding technical information, and information related to technical certifications, is only provided on the proof of usability under building approval law, the manufacturers' declarations submitted by the constructing company, and our order confirmation, which is considered part of the purchasing agreement upon signing by our contractual partner.

Installation conditions of fire protection enclosures

- Wall must be flat
- Only suitable for indoor installation

- Installation site must be frost-free and dry, ambient temperature +5°C to +30°C
- Not suitable for outdoor installation
- Wall must be suitable (load-bearing capacity, classification)

Before installing the EUL wall mount enclosures, conscientiously check the suitability of the wall properties with regard to the heavy weight of the enclosures.

Check the suitability of the enclosed dowels in relation to the wall properties.

Observe the power loss of the installed devices and wiring compared to the specified power loss of the distributor (VDE 0660, part 500/504).

The enclosure must be aligned at the final installation site. For this purpose, the enclosure can be lifted at the corners and a height adjustment can be made with shims. The enclosure must then hang horizontally.

Check that the fire protection seals are undamaged.
Check that the door is properly locked when closing the enclosure.

Special features

- Door can be unhinged, thus reducing weight during transport
- Door locking via swivelling lever with double-bit actuation
- Cable entry at top + bottom
- Cable bulkhead for individual entry
- External fixing lugs
- Door opens into the enclosure, 180° opening angle

Included in delivery

- The fire protection enclosures are delivered as described in the brochure. Please refer to the brochure for optional ordering options.

Warranty, transfer declaration

In order to ensure the optimal function of our products, the assembly instructions must always be observed.

PRIORIT's warranty applies to the delivered products.

Any modifications or changes to the design are permitted only following prior consultation with PRIORIT; otherwise the approval/warranty will be null and void.

The installer/setup technician must provide a guarantee for all assembly work.

Any warranty or liability claims for personal injury or property damage are excluded if they were caused by one or more of the following:

- Improper assembly, commissioning, operation, and maintenance,
- Failure to observe the instructions on transportation, storage, operation, and assembly,
- Improper repairs or
- Catastrophes caused by third parties or force majeure.

Intellectual property rights

In order to protect innovations and the design, utility model specifications have been submitted to the German Patent Office.

Installation

Check that the supplied fixing accessories are complete:

- ① 4 x suspension lugs
- ② 1 double bit key
- ③ 4 countersunk screws 4.5x20
- ④ 28 countersunk screws 4.5x55
- ⑤ 8 countersunk screws 6.0x120
- ⑥ 4 dowels (fastening the enclosure to the wall)
- ⑦ 2 cable cooling ducts + fastening material
- ⑧ Mineral wool

Opening and closing the door(s)

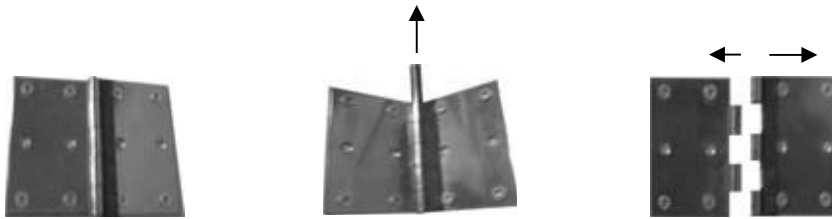
Open:

- Insert the key into the lock.
- Turn the key a quarter turn clockwise and pull out the swivelling lever.
- Turn the swivelling lever 90° anticlockwise upwards.
- Open the door.

Close:

- Close the door, making sure that the swivelling lever is in the open position.
- Press the door slightly and turn the swivelling lever 90° clockwise downwards.
- Allow the swivelling lever to audibly engage in the swivelling lever holder again.
- Remove the key.

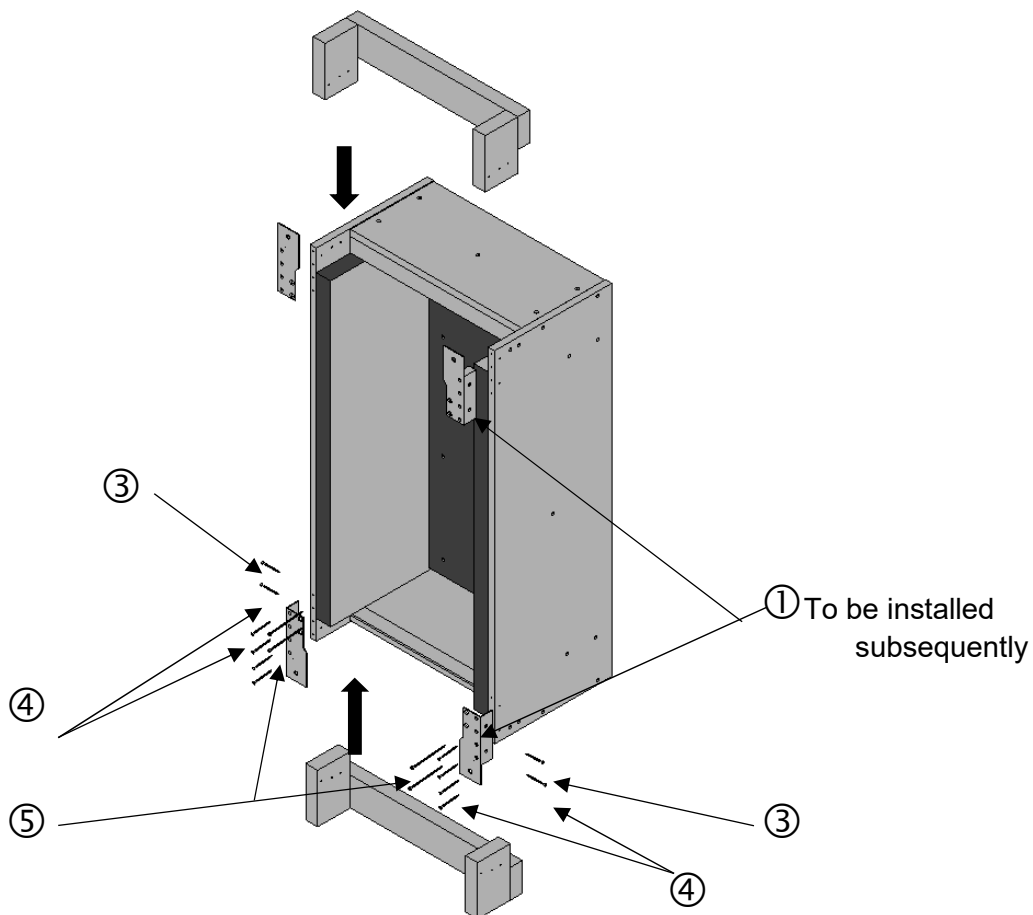
Note on unhooking the doors



To unhook the doors, push the pin out of the hinges!

For safety reasons, the door leaves should always be unhooked by at least 2 people.

Fastening the suspension lugs on the back of the enclosure



Positioning of the assembly means at the top and at the bottom.

Selecting the dowels

The selection of suitable wall plugs for masonry must be made depending on the type of brick (solid or perforated brick) and the different materials such as brick, sand-lime brick or normal, lightweight and aerated concrete.

In the case of unknown masonry, pull-out tests of the dowels must be carried out!

Fasteners

For fastening the fire protection enclosure to the adjoining solid walls (reinforced concrete, aerated concrete), dowels with steel screws building generally approved by construction regulators or European technical standards or assessed by European technical standards, which are suitable for the intended purpose and have a fire protection certificate, are to be used in accordance with the static requirements.

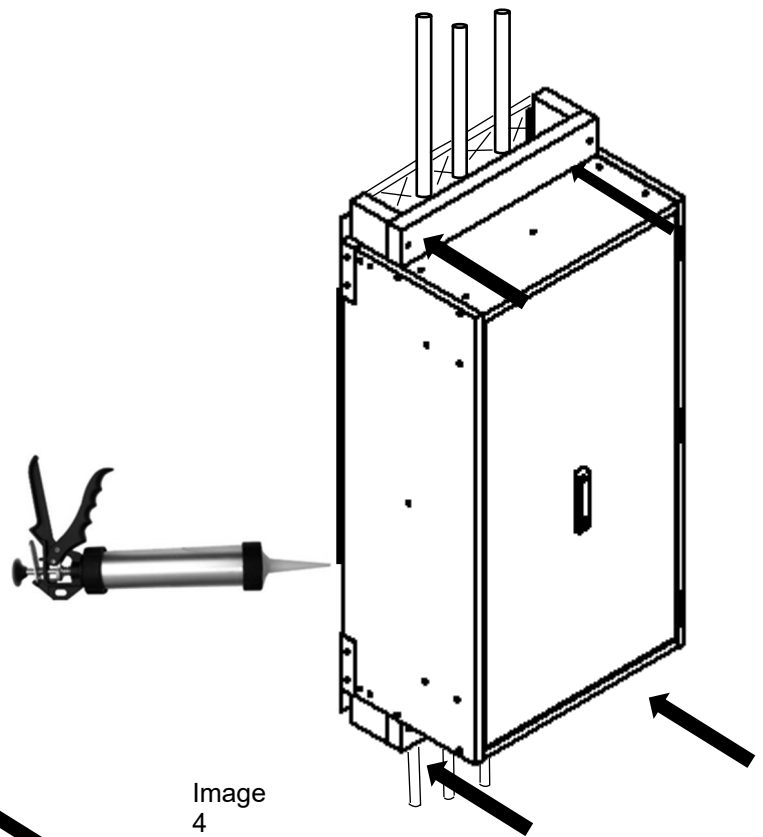
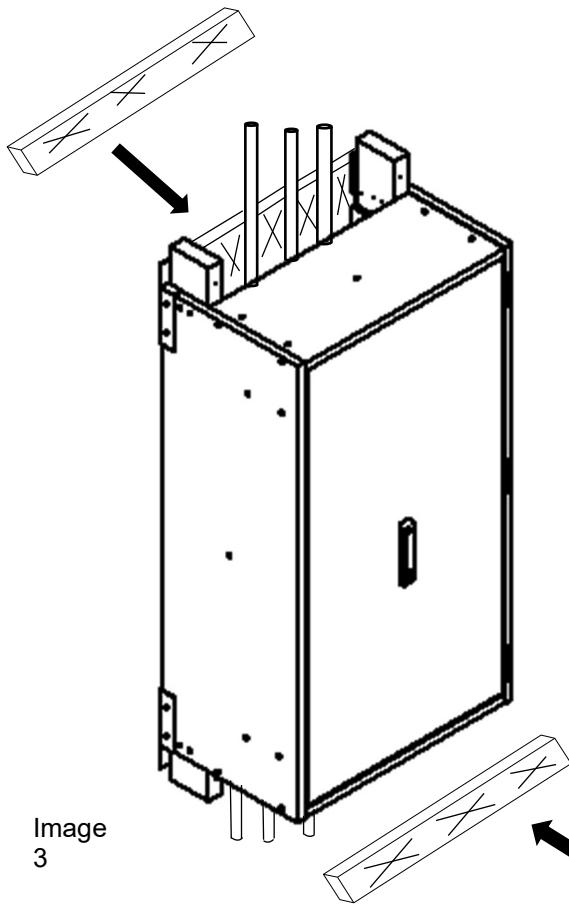
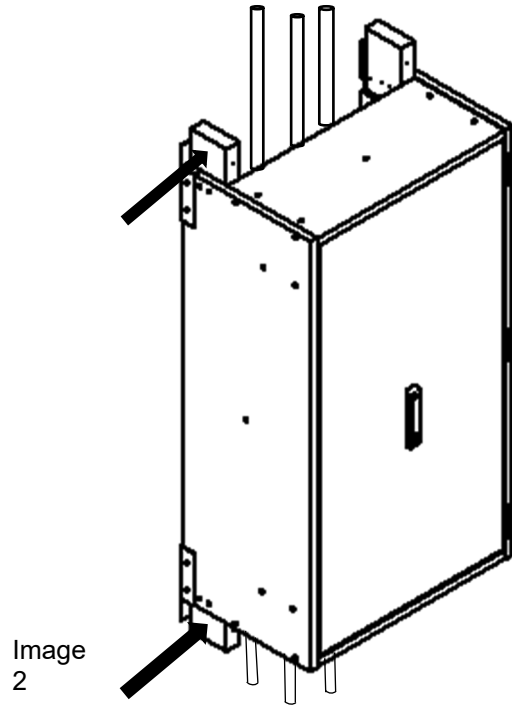
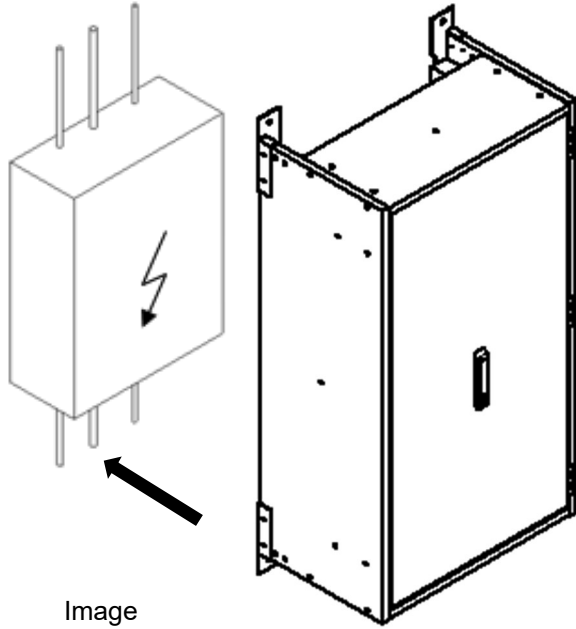
The special provisions of the respective general technical approval or European technical approval or European technical assessment must be observed.

Wall fastening EUL

- The wall for mounting must be straight and even!
- Fasten the enclosed lugs to the corners of the enclosure with the corresponding screws.
- Slip the fire protection enclosure on the electrical enclosure and the existing cables (1).
- Align the fire protection enclosure horizontally on the wall.
- Mark the holes for the fasteners through the fastening lugs.
- Set the dowels according to the dowel instructions.
- Fastening fire protection enclosure to the wall using the fastening lugs
- If necessary, re-hinge the door.

- Screw the sides of the cable cooling ducts to the sides of the fire protection enclosure (2).
- Fill the gap between cables and on-site wall with mineral wool layers until there is no cavity left (3).
- Fill the gaps between the cables with mineral wool (3).
- Fill the gap between the cables and the front edge of the cable cooling duct with mineral wool layers until there is no cavity left (3).
- Screw on the front plate of the cable cooling duct (4).

Schematic diagram of the installation procedure



Functional test, safety check, care and maintenance

- The fire protection enclosure should be maintained at least once annually and checked for proper function. We recommend that you complete a functional check (visual inspection). The safety check can only be carried out with the necessary level of care and attention by a qualified employee, as sufficient experience and a comprehensive level of knowledge are indispensable for this.
- Commonly available, mild household cleaners can be used for external cleaning of the fire protection enclosure.
- The door locking mechanism should be oiled 2 x per year.
- The fire protection enclosure must be protected against water, moisture penetration, or water spray.
- If safety-relevant damage is detected, the fire protection enclosures must be repaired with original parts before further use.