

Assembly and operating manual

PRIODIS

Monitor enclosure



Last updated: 12/2020

EP.A.9547EN-9

Dear customer,

Thank you for purchasing a high-quality PRIORIT product.

To ensure we can guarantee that the entire system will function free from errors, please carefully observe the following operating manual.

Failure to observe this manual will void any warranty guarantees.

We expressly reserve the right to make technical changes for the purpose of improving our product, or as required by changes to the law – including without any separate notification.

This operating / assembly manual may not be reprinted or duplicated in whole or in part without the written approval of PRIORIT AG.

PRIORIT AG

63457 Hanau

Tel.: 06181 3640-0, Fax: 06181 3640-210,

E-mail : info@priorit.de , www.priorit.de

Contents

Contents	3
Important notes.....	4
Setup	5
Building material/Surface.....	6
Scope of delivery	7
Assembly manual	7
Mounting the optional rear panel.....	10
Assembly manual for monitors with wall bracket.....	11
Assembly manual wall bracket on optional rear panel	11
Weight tables and anchoring.....	12

Important notes



The product must be installed and fitted flush and level!



When storing individual parts, do not place them on the corners and cover the storage area with soft material beforehand, e.g. with a packing blanket!

General safety information

- This operating / assembly manual must always be stored at the location where the product will be used.
- Legally required safety information must be posted in an area visible to users.
- All safety and hazard notices and the type plate must be kept in legible condition.
- Only use the product in proper working order.
- Observe the technical information in our catalogue or data sheet for the respective product.
- Improper installation may impair the protective function.
- Observe all instructions in these operating and maintenance instructions.
- It would go beyond the scope of this document to list all valid regulations and directives. Therefore, always check whether your installation complies with the applicable regulations.

Intended use

- The product described in these operating/assembly instructions is manufactured in accordance with the state of the art and the recognised safety regulations.
- They may only be:
 - used as intended and
 - used when they are safe and in good working order.
- Any other use is not deemed proper use. PRIORIT is not liable for the resulting damage and consequential damage.
- **Suitable exclusively for enclosing screens without additional components such as processors etc.**
- **If additional heat loads are introduced, no guarantee can be given about the functionality of screens and components.**

Functional test, safety check, care and maintenance

- Visual inspection of the smoke and fire protection seals for damage and completeness, replace seals if necessary.
- Commonly available, mild household cleaners can be used for external cleaning of the product.
- The monitor enclosure must be protected against water, moisture penetration or splash water.
- If safety-relevant damage is detected, they must be repaired with original parts before further use.

Setup

- Frame elements with ESG front pane

- Required fastening material must be coordinated with the building structure and the corresponding load and, if necessary, supplemented. Any fastening material supplied meets part of the requirements.

Building material/Surface

- Building material incl. surface coating A2-s1, dO: not flammable
- Building material incl. surface with high chemical resistance, mechanical strength and stability.

Warranty, transfer declaration

In order to ensure the optimal function of our products, the assembly instructions must always be observed.

PRIORIT does not provide any warranty for damage to monitors or other equipment that may result from the installation or use of PRIODIS.

PRIORIT's warranty applies to the delivered products.

Any modifications or changes to the design are permitted only following prior consultation with PRIORIT; otherwise the approval/warranty will be null and void.

The installer/setup technician must provide a guarantee for all assembly work.

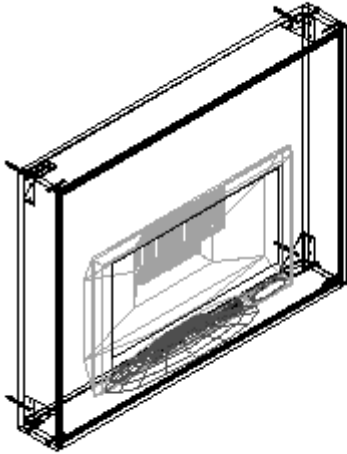
Any warranty or liability claims for personal injury or property damage are excluded if they were caused by one or more of the following:

- The product is not used according to its intended purpose.
- Improper assembly, commissioning, operation, and maintenance.
- Failure to observe the instructions on transportation, storage, operation, and assembly.
- Unauthorised structural modifications to the product.
- Improper repairs.
- Catastrophes caused by third parties or force majeure.

Intellectual property rights

In order to protect innovations and the design, utility model specifications have been submitted to the German Patent Office.

Scope of delivery



The delivery takes place disassembled.

Check that the scope of delivery is complete.

Scope of delivery:

POS 1 -> 4 pcs Frame elements

POS 2 -> 1 pcs ESG washer t=15

POS 3 -> 2 pcs Packing plate as drilling template

POS 4 -> 4 pcs Fastening angle

POS 5 -> 1 pcs Sealing tape precompressed

POS 6 -> 4 pcs Sealing profiles

POS 7 -> 8 pcs Fastening screws M6x80mm

POS 8 -> 8 pcs Fastening screws 4.5x35mm for angle

POS 9 -> 4 pcs Dowels for wall fastening

POS 10 -> 2 pcs Spacer made of foam

1 pc Operating manual

Monitor not included in the scope of delivery!

Necessary tools:

Screwdriver, with Allen (hex) and Torx BIT set



Drilling machine/

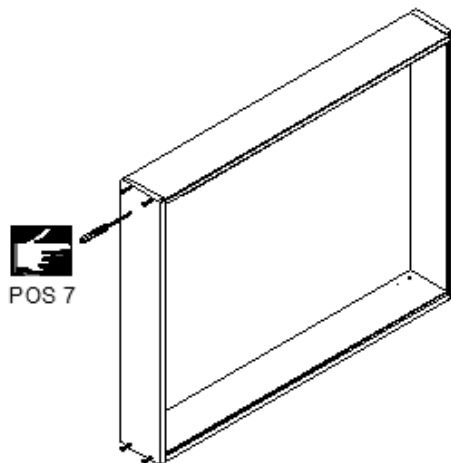
Akkuschrauber



Mounting with at least



Assembly manual



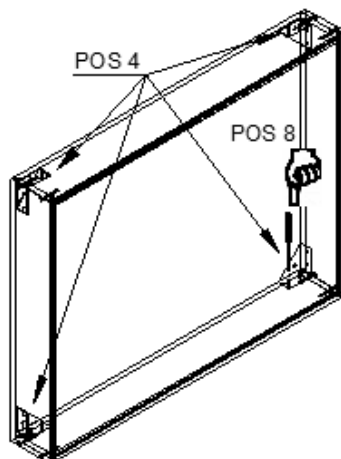
①

Screw the four frame parts together with the enclosed hanger bolts M6x80mm and the corresponding sleeve nuts.

! Pay attention to perpendicularity!

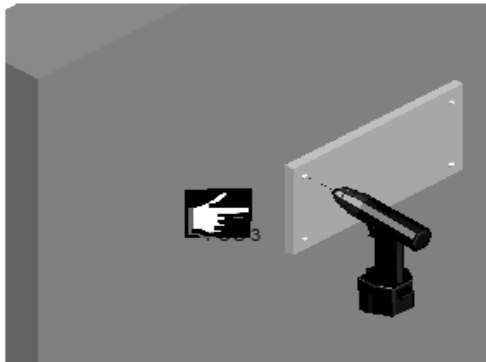
ATTENTION:

Do not overtighten the screws!



②

Screw the four mounting brackets at the bottom and top with the enclosed panhead screws 4.5x35mm, into the pre-drilled holes provided at the factory. Only screw into the frame parts crosswise above and below. Do **NOT** screw into the sides (2 screws per angle)

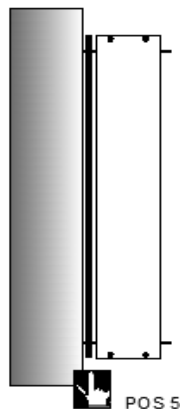
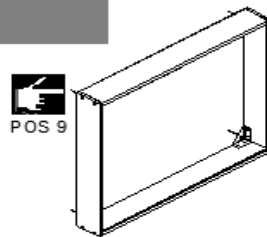


③

Before fastening the frame to the wall, check that the wall has sufficient load-bearing capacity!
 The enclosed packaging plates can be used as a template. Align the template on the wall to which PRIODIS is to be fixed and mark out the fastening holes.
 Drill the dowel hole according to the dowel used.
 For fastening, anchors with steel screws that are generally approved by the building authorities or technically assessed in Europe and are suitable for the intended use must be used in accordance with the static requirements.
 The special provisions of the respective general technical approval or European technical approval or European technical assessment must be observed.
 The template can be disposed of afterwards.



④ Insert the dowels into the holes.



⑤

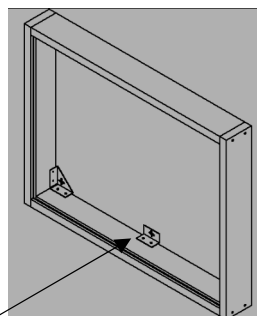
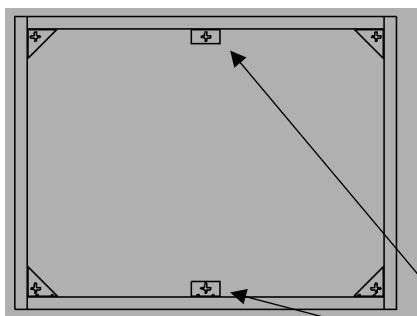
Stick the sealing strap all around the edge of the rear of the enclosure.

The cable gland for the monitor cable will later be made through this sealing strap.

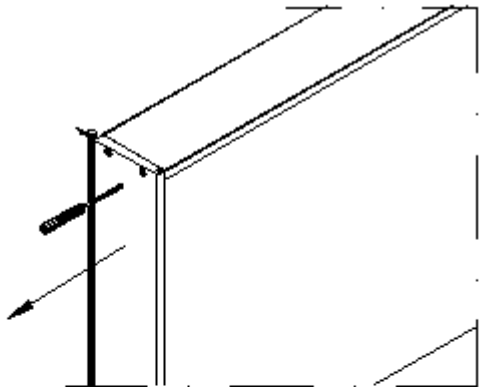
⑥

Fasten the PRIODIS frame to the wall with screws and dowels.

ATTENTION: for PRIODIS external dimensions ≥ 1200 , 2 additional fixing brackets must be placed centrally at the top and bottom. The positions are also specified by the drilling templates, additional fastening material is then included in the delivery.

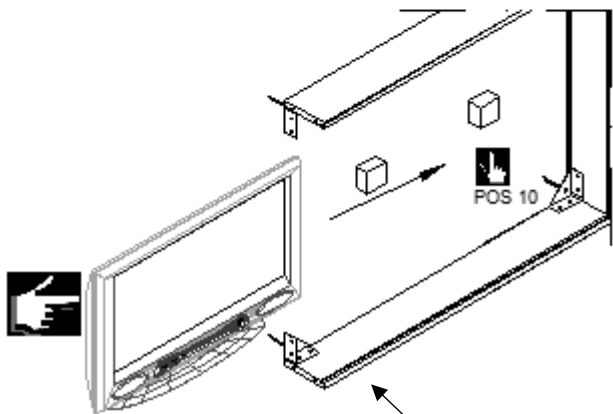


Mounting bracket for external dimension ≥ 1200 mm



⑥

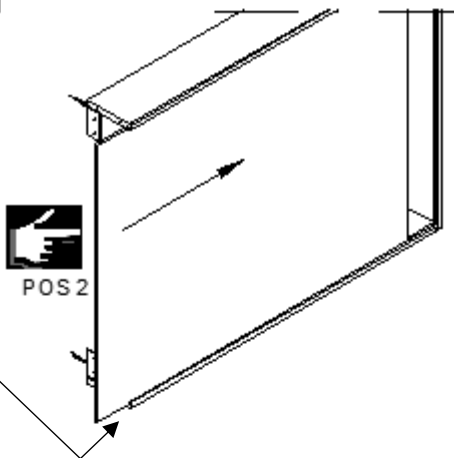
Once the frame is attached, remove one side panel and store it protected from scratches!



⑦

Insert the monitor and the ESG pane, lead the cable to the back (through the sealing strap if necessary).

If necessary, place foam spacers behind the monitor.



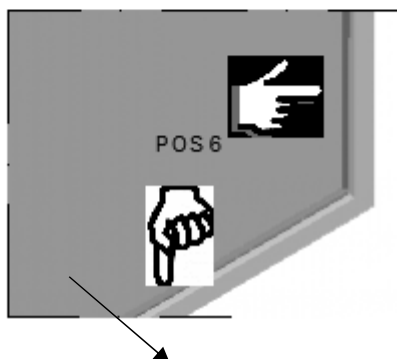
Support the lower side panel crosswise during mounting!

⑧

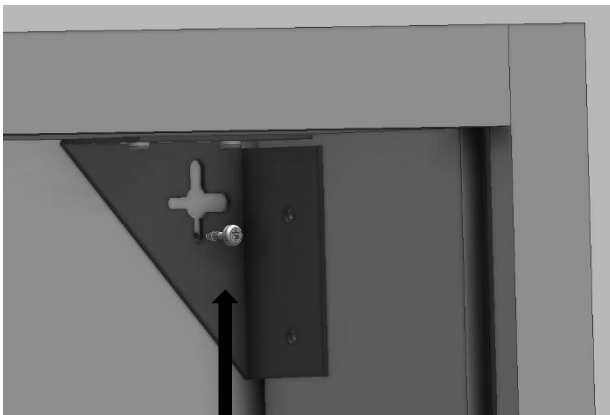
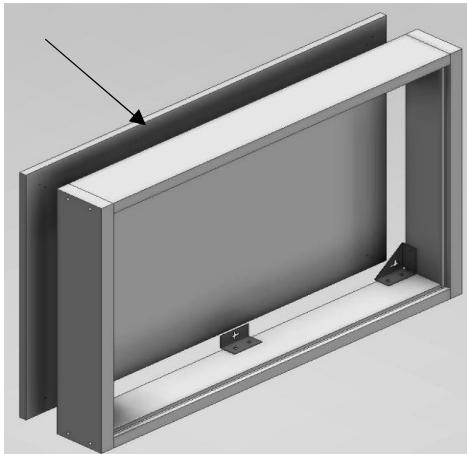
Refasten the frame part dismantled under 6.

⑨

Insert the seals into the grooves provided at the factory!



Mounting the optional rear panel

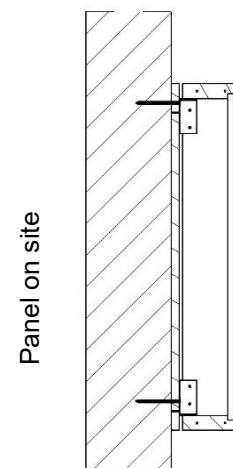
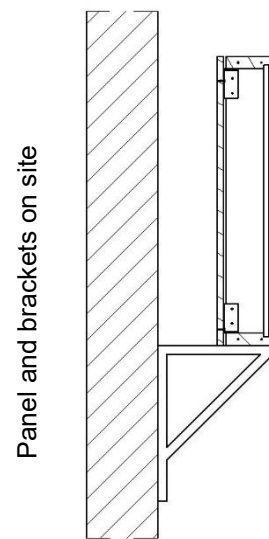


at PRIODIS that is being set up:
Screw the rear panel with panhead screws 4.5x20mm in pilot holes in the rear wall, the possibility of hanging in, hanging out should be given!



with suspended PRIODIS:
Fastening of PRIODIS with rear panel using suitable dowels to the panel provided by the customer, the dowel holes in the rear panel are to be made by the customer. For fastening, anchors with steel screws that are generally approved by the building authorities or technically assessed in Europe and are suitable for the intended use must be used in accordance with the static requirements.

The special provisions of the respective general technical approval or European technical approval or European assessment must be observed.



Assembly manual for monitors with wall bracket

- Fasten the monitor wall bracket to the wall.
- Determine and mark the position of PRIODIS on the wall.
- Remove the monitor from the wall bracket.
- Screw the four frame parts of PRIODIS together (point 1-2).
- Fasten PRIODIS to the wall (point 3-5).
- Refasten the monitor to the monitor wall bracket.
- Remove PRIODIS frame part (point 6).
- Insert the disc (point 7).
- Refasten the PRIODIS frame part (point 8).
- Insert the seals according to point 9.

Assembly manual wall bracket on optional rear panel

- Screw connection with 4 pcs Countersunk wood screws $d = 4.5 \text{ mm}$
- Screw length must be selected according to the thickness of the wall bracket
- Pilot holes with drill $d = 3.5 \text{ mm}$, depth 18 mm
- Anchoring depth min. 15 mm , max. 18 mm
- Max. monitor weight incl. bracket 35 kg
- Due to the large number of different wall brackets, only a general description of the fastening can be given here.
- The wall bracket must be suitable to support the weight of the monitor and to transfer it into the rear panel.
- The assembly manual for the wall bracket must be observed.

Weight tables and anchoring

Specification of total weight, characteristic mass without partial safety factor, specification in [kg].

Specification of anchor load, characteristic load without partial safety factor, specification in [kN].

Considered depth 225mm each, frame t = 22mm, washer thickness 4 mm

Suspension only via anchors at the top. Tables P13 to P16.

Table P13: **without screen, without rear panel**

Weight PRIODIS enclosure, frame t =22mm, rec. charact. Anchor forces suspension [kN]											
Washer 4mm , dimension [mm], mass m [kg]											
Anchor vertical top V _k [kN], anchor tension top Z _k [kN], anchor resultant top R _k [kN].											
Height	Width	376	600	800	1000	1200	1400	1600	1800	2000	2200
	499	∑m	13.9	18.2	22.1	26.0	29.8	33.7	37.6	41.5	45.4
	V _k	0.07	0.09	0.11	0.13	0.15	0.17	0.19	0.21	0.23	0.25
	Z _k	0.02	0.03	0.03	0.04	0.04	0.05	0.05	0.06	0.07	0.07
	R _k	0.07	0.09	0.11	0.13	0.16	0.18	0.20	0.22	0.24	0.26
700	∑m	17.5	22.3	26.6	30.9	35.1	39.4	43.7	48.0	52.3	56.6
	V _k	0.09	0.11	0.13	0.15	0.18	0.20	0.22	0.24	0.26	0.28
	Z _k	0.02	0.02	0.03	0.03	0.04	0.04	0.05	0.05	0.05	0.06
	R _k	0.09	0.11	0.14	0.16	0.18	0.20	0.22	0.25	0.27	0.29
900	∑m	21.1	26.4	31.1	35.7	40.4	45.1	49.8	54.5	59.2	63.8
	V _k	0.11	0.13	0.16	0.18	0.20	0.23	0.25	0.27	0.30	0.32
	Z _k	0.02	0.02	0.02	0.03	0.03	0.04	0.04	0.04	0.05	0.05
	R _k	0.11	0.13	0.16	0.18	0.20	0.23	0.25	0.28	0.30	0.32
1100	∑m	24.8	30.5	35.5	40.6	45.7	50.8	55.9	61.0	66.0	71.1
	V _k	0.12	0.15	0.18	0.20	0.23	0.25	0.28	0.30	0.33	0.36
	Z _k	0.01	0.02	0.02	0.03	0.03	0.03	0.04	0.04	0.04	0.05
	R _k	0.12	0.15	0.18	0.20	0.23	0.26	0.28	0.31	0.33	0.36
1300	∑m	28.4	34.5	40.0	45.5	51.0	56.5	62.0	67.4	72.9	78.4
	V _k	0.14	0.17	0.20	0.23	0.25	0.28	0.31	0.34	0.36	0.39
	Z _k	0.01	0.02	0.02	0.03	0.03	0.03	0.04	0.04	0.04	0.05
	R _k	0.14	0.17	0.20	0.23	0.26	0.28	0.31	0.34	0.37	0.39

Table P13: **with screen, without rear panel**

Weight PRIODIS enclosure, frame t =22mm, rec. charact. Anchor forces suspension [kN]											
Washer 4mm, screen 20kg , dimension [mm], mass m [kg]											
Anchor vertical top V _k [kN], anchor tension top Z _k [kN], anchor resultant top R _k [kN].											
Height	Width	376	600	800	1000	1200	1400	1600	1800	2000	2200
	499	∑m	33.9	38.2	42.1	46.0	49.8	53.7	57.6	61.5	65.4
	V _k	0.17	0.19	0.21	0.23	0.25	0.27	0.29	0.31	0.33	0.35
	Z _k	0.02	0.03	0.03	0.04	0.04	0.05	0.05	0.06	0.07	0.07
	R _k	0.17	0.19	0.21	0.23	0.25	0.27	0.29	0.31	0.33	0.35
700	∑m	37.5	42.3	46.6	50.9	55.1	59.4	63.7	68.0	72.3	76.6
	V _k	0.19	0.21	0.23	0.25	0.28	0.30	0.32	0.34	0.36	0.38
	Z _k	0.02	0.02	0.03	0.03	0.04	0.04	0.05	0.05	0.05	0.06
	R _k	0.19	0.21	0.23	0.26	0.28	0.30	0.32	0.34	0.37	0.39
900	∑m	41.1	46.4	51.1	55.7	60.4	65.1	69.8	74.5	79.2	83.8
	V _k	0.21	0.23	0.26	0.28	0.30	0.33	0.35	0.37	0.40	0.42
	Z _k	0.02	0.02	0.02	0.03	0.03	0.04	0.04	0.04	0.05	0.05

	Rk	0.21	0.23	0.26	0.28	0.30	0.33	0.35	0.38	0.40	0.42
1100	Σm	44.8	50.5	55.5	60.6	65.7	70.8	75.9	81.0	86.0	91.1
	Vk	0.22	0.25	0.28	0.30	0.33	0.35	0.38	0.40	0.43	0.46
	Zk	0.01	0.02	0.02	0.03	0.03	0.03	0.04	0.04	0.04	0.05
	Rk	0.22	0.25	0.28	0.30	0.33	0.36	0.38	0.41	0.43	0.46
1300	Σm	48.4	54.5	60.0	65.5	71.0	76.5	82.0	87.4	92.9	98.4
	Vk	0.24	0.27	0.30	0.33	0.35	0.38	0.41	0.44	0.46	0.49
	Zk	0.01	0.02	0.02	0.03	0.03	0.03	0.04	0.04	0.04	0.05
	Rk	0.24	0.27	0.30	0.33	0.36	0.38	0.41	0.44	0.47	0.49

Table P15: without screen, without rear panel

Weight PRIODIS enclosure, frame t =22mm, rec. charact. Anchor forces suspension [kN]											
Washer 4mm, rear panel 22mm, dimension [mm], mass m [kg]											
Anchor vertical top Vk [kN], anchor tension top Zk [kN], anchor resultant top Rk [kN].											
Height	Width	376	600	800	1000	1200	1400	1600	1800	2000	2200
	499	Σm	20.0	28.1	35.3	42.4	49.6	56.8	63.9	71.1	78.3
Vk		0.10	0.14	0.18	0.21	0.25	0.28	0.32	0.36	0.39	0.43
Zk		0.02	0.03	0.04	0.04	0.05	0.06	0.06	0.07	0.08	0.08
Rk		0.10	0.14	0.18	0.22	0.25	0.29	0.33	0.36	0.40	0.44
700	Σm	26.2	36.2	45.1	54.0	62.9	71.8	80.7	89.6	98.5	107.4
	Vk	0.13	0.18	0.23	0.27	0.31	0.36	0.40	0.45	0.49	0.54
	Zk	0.02	0.03	0.03	0.04	0.04	0.05	0.05	0.06	0.06	0.07
	Rk	0.13	0.18	0.23	0.27	0.32	0.36	0.41	0.45	0.50	0.54
900	Σm	32.3	44.2	54.8	65.4	76.1	86.7	97.3	107.9	118.6	129.2
	Vk	0.16	0.22	0.27	0.33	0.38	0.43	0.49	0.54	0.59	0.65
	Zk	0.02	0.02	0.03	0.03	0.04	0.04	0.05	0.05	0.06	0.06
	Rk	0.16	0.22	0.28	0.33	0.38	0.44	0.49	0.54	0.60	0.65
1100	Σm	38.4	52.2	64.6	76.9	89.3	101.6	114.0	126.3	138.6	151.0
	Vk	0.19	0.26	0.32	0.38	0.45	0.51	0.57	0.63	0.69	0.75
	Zk	0.02	0.02	0.03	0.03	0.03	0.04	0.04	0.05	0.05	0.06
	Rk	0.19	0.26	0.32	0.39	0.45	0.51	0.57	0.63	0.70	0.76
1300	Σm	44.5	60.3	74.3	88.4	102.5	116.5	130.6	144.7	158.7	172.8
	Vk	0.22	0.30	0.37	0.44	0.51	0.58	0.65	0.72	0.79	0.86
	Zk	0.02	0.02	0.03	0.03	0.03	0.04	0.04	0.04	0.05	0.05
	Rk	0.22	0.30	0.37	0.44	0.51	0.58	0.65	0.72	0.80	0.87

Table P16: with screen, without rear panel

Weight Priodis enclosure, frame t =22mm, rec. charact. Anchor forces suspension [kN]											
Washer 4mm, rear panel 22mm, screen 20kg, dimension [mm], mass m [kg]											
Anchor vertical top Vk [kN], anchor tension top Zk [kN], anchor resultant top Rk [kN].											
Height	Width	376	600	800	1000	1200	1400	1600	1800	2000	2200
	499	Σm	40.0	48.1	55.3	62.4	69.6	76.8	83.9	91.1	98.3
Vk		0.20	0.24	0.28	0.31	0.35	0.38	0.42	0.46	0.49	0.53
Zk		0.02	0.03	0.04	0.04	0.05	0.06	0.06	0.07	0.08	0.08
Rk		0.20	0.24	0.28	0.32	0.35	0.39	0.42	0.46	0.50	0.53
700	Σm	46.2	56.2	65.1	74.0	82.9	91.8	100.7	109.6	118.5	127.4
	Vk	0.23	0.28	0.33	0.37	0.41	0.46	0.50	0.55	0.59	0.64
	Zk	0.02	0.03	0.03	0.04	0.04	0.05	0.05	0.06	0.06	0.07
	Rk	0.23	0.28	0.33	0.37	0.42	0.46	0.51	0.55	0.60	0.64
900	Σm	52.3	64.2	74.8	85.4	96.1	106.7	117.3	127.9	138.6	149.2
	Vk	0.26	0.32	0.37	0.43	0.48	0.53	0.59	0.64	0.69	0.75
	Zk	0.02	0.02	0.03	0.03	0.04	0.04	0.05	0.05	0.06	0.06
	Rk	0.26	0.32	0.37	0.43	0.48	0.53	0.59	0.64	0.69	0.75

PRIORIT

Fire | Resistant | Components

	Rk	0.26	0.32	0.38	0.43	0.48	0.54	0.59	0.64	0.70	0.75
1100	Σ m	58.4	72.2	84.6	96.9	109.3	121.6	134.0	146.3	158.6	171.0
	Vk	0.29	0.36	0.42	0.48	0.55	0.61	0.67	0.73	0.79	0.85
	Zk	0.02	0.02	0.03	0.03	0.03	0.04	0.04	0.05	0.05	0.06
	Rk	0.29	0.36	0.42	0.49	0.55	0.61	0.67	0.73	0.79	0.86
1300	Σ m	64.5	80.3	94.3	108.4	122.5	136.5	150.6	164.7	178.7	192.8
	Vk	0.32	0.40	0.47	0.54	0.61	0.68	0.75	0.82	0.89	0.96
	Zk	0.02	0.02	0.03	0.03	0.03	0.04	0.04	0.04	0.05	0.05
	Rk	0.32	0.40	0.47	0.54	0.61	0.68	0.75	0.82	0.89	0.97