

# Assembly and operating manual

---

*RTH*

*Inspection opening closure*

---

Last updated: 06/2023

EP.A.10951EN-8

Dear customer,

Thank you for purchasing a high-quality PRIORIT product.

To ensure we can guarantee that the entire system will function free from errors, please carefully observe the following operating manual.

Failure to observe this manual will void any warranty guarantees.

We expressly reserve the right to make technical changes for the purpose of improving our product, or as required by changes to the law – including without any separate notification.

This operating / assembly manual may not be reprinted or duplicated in whole or in part without the written approval of PRIORIT AG.

**PRIORIT AG**

**63457 Hanau**

Tel.: 06181 3640-0, Fax: 06181 3640-210,

E-mail : [info@priorit.de](mailto:info@priorit.de) , [www.priorit.de](http://www.priorit.de)

## Contents

Contents .....	3
Important notes.....	4
Permitted installation .....	5
Information in this manual .....	5
Transportation .....	5
General information .....	5
General safety information .....	6
Intended use.....	6
Functional test, safety check, care and maintenance .....	6
Building material/Surface.....	7
Warranty, transfer declaration .....	7
Intellectual property rights .....	7
Assembly / scope of delivery – General information .....	8
Assembly manual .....	9
Assembly of the frame.....	9
Installation of the frame .....	11
Assembly with steel angle .....	12
Installation details in different wall types .....	13
Installation and removal of the door leaf .....	14
Removal and installation of the profile cylinder .....	15
Flush mounting RTH.....	16
Non-flush mounting RTH.....	17
Mounting RTH clad steel component .....	20
Mounting door closer with slide rail .....	21
Mounting door closer with standard arm .....	22
Mounting door closer .....	22
Declaration of conformity RTH30 .....	23
.....	23
Declaration of conformity RTH90 .....	24
.....	24
Notes .....	25

## Important notes



**The product must be installed and fitted flush and level!**



**When storing the product, do not put loads on the corners and cover the storage area with soft material beforehand, e.g. with a packing blanket!**



**Open door leaf 90° as a maximum!**

## Permitted installation

- See proof of usability

## Information in this manual

- This manual is not a manufacturer's declaration, nor is it considered a usability certificate under building approval regulations.
- The information in this manual applies to a wide range of different products.
- Binding technical information, and information related to technical certifications, is only provided on the proof of usability under building approval law, the manufacturers' declarations submitted by the constructing company, and our order confirmation, which is considered part of the purchasing agreement upon signing by our contractual partner.

## Transportation

- If the packaging is damaged then the freight carrier must be notified of this in writing on the delivery slip – a “simple acknowledgement” provided to the delivering freight company will exclude recognition of damage in transit. The same applies if any packages are missing according to the delivery slip.
- The pallet must always be picked up from the narrow side with forks inserted fully to the end of the pallet.
- Attention: Per sqm of surface are incl. frame approx. 70 kg.
- Attention: Risk of injury!
- Attention: When opening the packaging, the product may be damaged if pointed or sharp objects such as knives are used.

## General information

- This assembly manual is no substitute for a basic level of knowledge and skills with regard to the installation of doors in general and of inspection opening closures in particular.
- To ensure correct shoring and the required level of quality of the installation, the inspection opening closures should only be installed by qualified specialists.
- Do not install damaged components – this will immediately void the warranty and usability certificate.
- Unless they are installed fully and appropriately, the products do not bear the required usability certificate under building approval regulations.
- Always observe building law regulations and guidelines, as well as instructions from the responsible building authority and the responsible commissioned fire protection expert.
- As the installing technician, you should only issue an unrestricted manufacturer's declaration of compliance with the building approval if installation was completed in a compliant manner, and if all necessary fittings have been installed. Note any necessary deviations on the declaration, if these are significant in scope.

## General safety information

- This operating / assembly manual must always be stored at the location where the product will be used.
- Legally required safety information must be posted in an area visible to users.
- All safety and hazard notices and the type plate must be kept in legible condition.
- Only use the product in proper working order.
- Observe the technical information in our catalogue or data sheet for the respective product.
- Improper installation may impair the protective function.
- Observe all instructions in these operating and maintenance instructions.
- It would go beyond the scope of this document to list all valid regulations and directives. Therefore, always check whether your installation complies with the applicable regulations.

## Intended use

- The product described in these operating/assembly instructions is manufactured in accordance with the state of the art and the recognised safety regulations.
- They may only be:
  - used as intended and
  - used when they are safe and in good working order.
- Any other use is not deemed proper use. PRIORIT is not liable for the resulting damage and consequential damage.

## Functional test, safety check, care and maintenance

- Commonly available, mild household cleaners can be used for external cleaning of the product.
- The product must be protected against water, moisture penetration, or water spray.
- If safety-relevant damage is detected, they must be repaired with original parts before further use.
- Service the product at least once a year and check for proper functioning. We recommend that you complete a functional check and visual inspection every month. The safety check can only be carried out with the necessary level of care and attention by a qualified employee, as sufficient experience and a comprehensive level of knowledge are indispensable for this.

## Building material/Surface

- Building material incl. surface coating A2-s1, d0: not flammable
- Building material incl. surface with high chemical resistance, mechanical strength and stability.

## Warranty, transfer declaration

In order to ensure the optimal function of our products, the assembly instructions must always be observed.

PRIORIT's warranty applies to the delivered products.

Any modifications or changes to the design are permitted only following prior consultation with PRIORIT; otherwise the approval/warranty will be null and void.

The installer/setup technician must provide a guarantee for all assembly work.

Any warranty or liability claims for personal injury or property damage are excluded if they were caused by one or more of the following:

- The product is not used according to its intended purpose.
- Improper assembly, commissioning, operation, and maintenance.
- Failure to observe the instructions on transportation, storage, operation, and assembly.
- Unauthorised structural modifications to the product.
- Improper repairs.
- Catastrophes caused by third parties or force majeure.

## Intellectual property rights

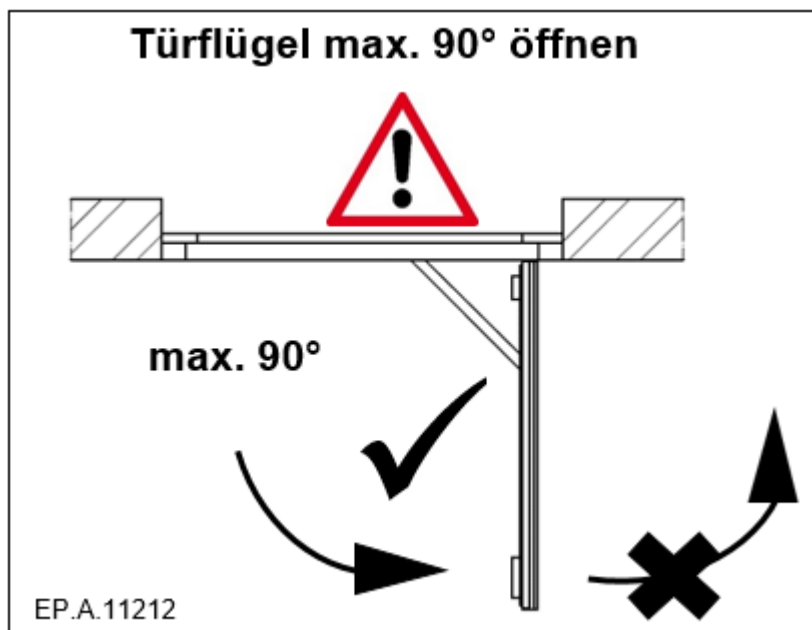
In order to protect innovations and the design, utility model specifications have been submitted to the German Patent Office.

## Assembly / scope of delivery – General information

- Our inspection opening closures can be implemented in many solution and installation forms. Fastening sets must be ordered separately or put together individually in accordance with the appendix to this operating manual.
- Our doors are supplied with profile half cylinders as standard.
- Observe the accident prevention guidelines and the workplace directive.
- For the assessment of fire protection and structural engineering aspects, the respective LBO must be observed.
- Only use products that are in proper working order.
- We cannot accept any liability for damage and malfunctions that occur due to improper transport or installation.
- The swivel or closing range of the doors must be kept clear at all times.
- Improper installation may impair the protective function.
- Screw connections to the structure may only be made with approved, suitable screws/dowels.
- The suitability of the screws/dowels must be checked depending on the building and in advance.
- Required fastening material must be coordinated with the building structure and the corresponding load and, if necessary, supplemented. Any fastening material supplied only meets part of the requirements.

## Maximum door opening angle

The maximum door opening angle is 90° as a maximum!





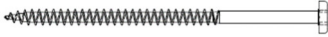
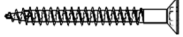
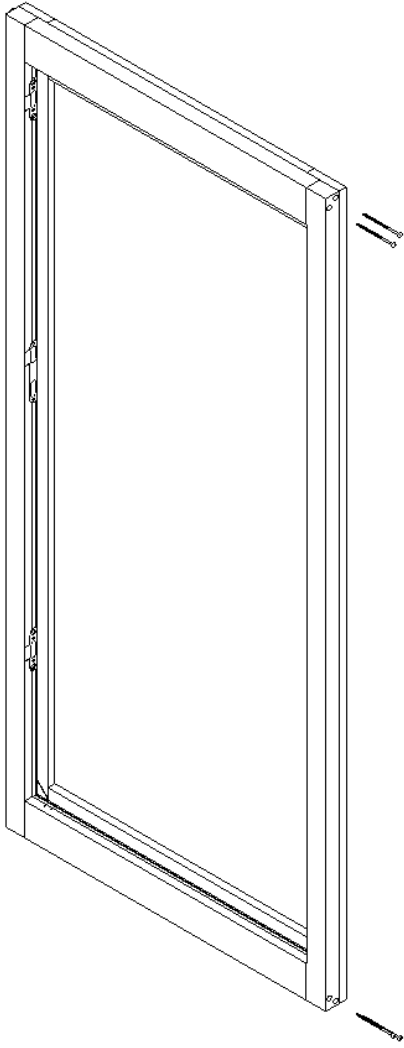
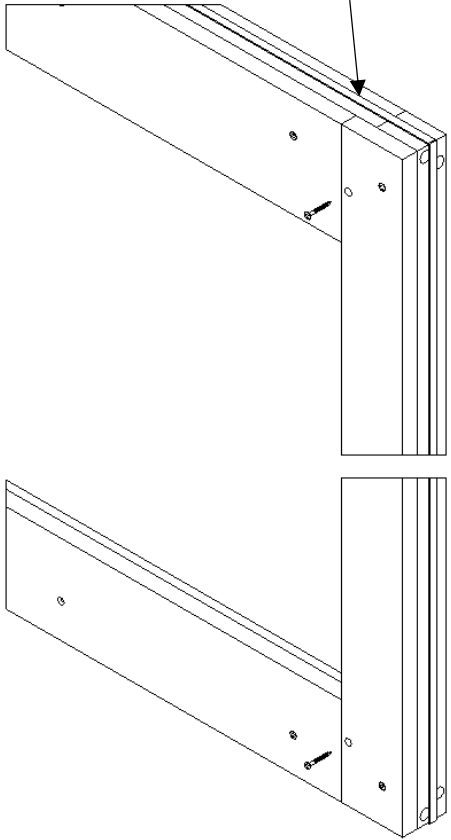
## Assembly manual



**The product must be installed and fitted flush and level!**

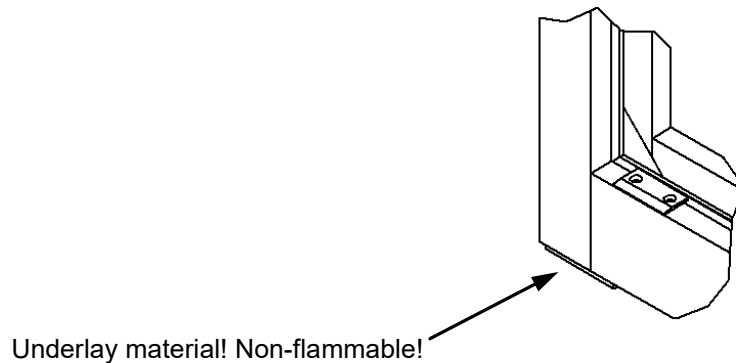
## Assembly of the frame

1. No assembly is required for a 1-piece frame.
2. The following steps are required for a 4-part frame:
  - The assembly of the frame should while it is lying down!
  - Components are: 2 upright and 2 transverse frame parts, on which the false edges are already pre-assembled. Pull the already pressed-in silicone seals out of the groove and put them aside so that they do not interfere during assembly.
  - Screw the upright to the transverse frame parts using the enclosed screws. The holes and bores required for this are already in the frame parts.
  - 2 screws are used per corner joint.
  - After all corner joints have been screwed, the stop plates can be screwed on the closing side of the frame.
  - Screw the stop plates through the hole provided for this purpose in the false edge at the top and bottom by means of the enclosed countersunk screws 4.5x35 mm.
  - Press the silicone seals back into the groove provided - the upright seals run through to the lower and upper corners here. The transverse seals are placed in between.
  - Stick the enclosed intumescent on the outside of the frame all around the centre.

<b>Screw connection Frame</b>	<b>Stop plate screw connection</b>
 <p data-bbox="406 571 619 600">Screw 6x120 mm</p>	 <p data-bbox="933 589 1310 618">Countersunk screw 4.5x35 mm</p>
	<p data-bbox="1117 645 1369 698">Stick intumescent on circumferentially!</p> 

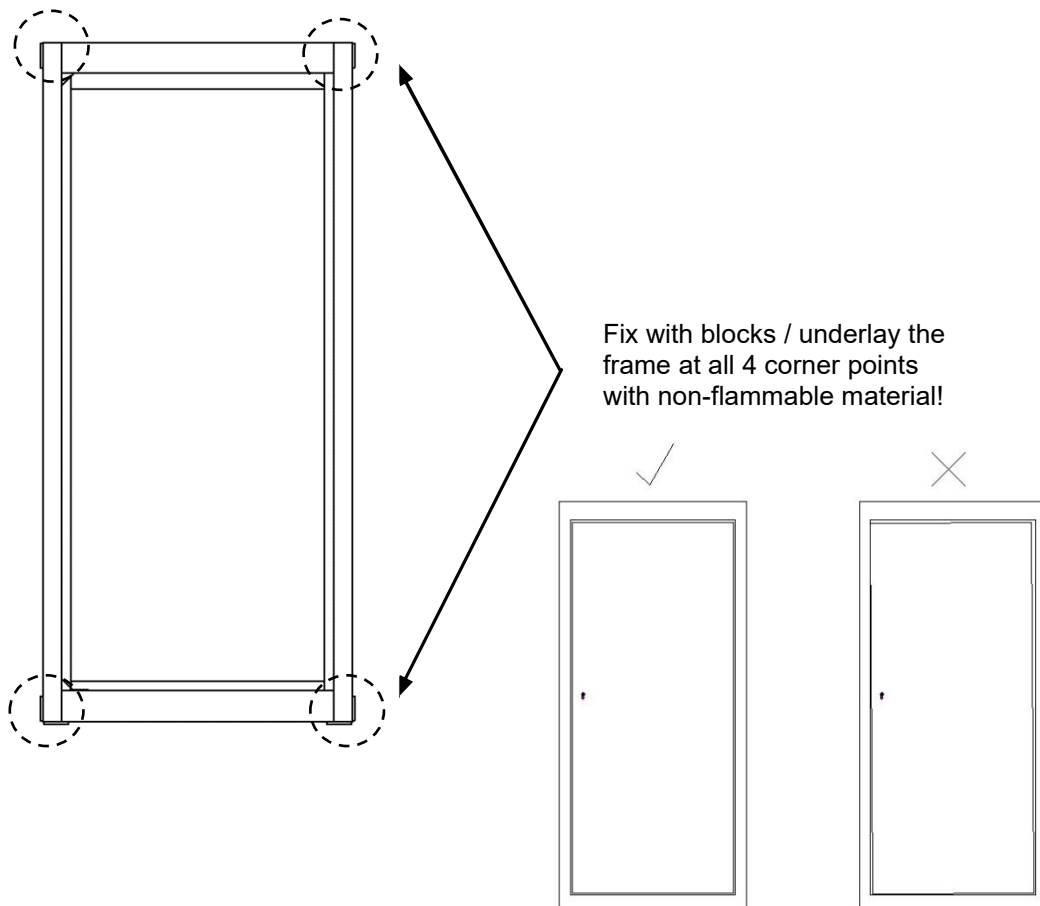
## Installation of the frame

- Align the frame flush and level.
- Make sure that the frame is not subjected to any loads during or after installation due to incorrect installation or over-tightened screws without a counter bearing (warping of the frame). There is a risk of **breakage** here!
- Fasten the frame with the appropriate fastening material for the supporting structure.
- **Be sure to arrange underlay material beneath the upright frame parts!**
- **Always install flush and level!**



For the installation of the product, we recommend our underlay blocks made of non-combustible PRIODEK H. Available in our range under article number "UK-60.6.5.4.3.2". Or in a handy plastic case - available under article number "UK-K-6.5.4.3.2".

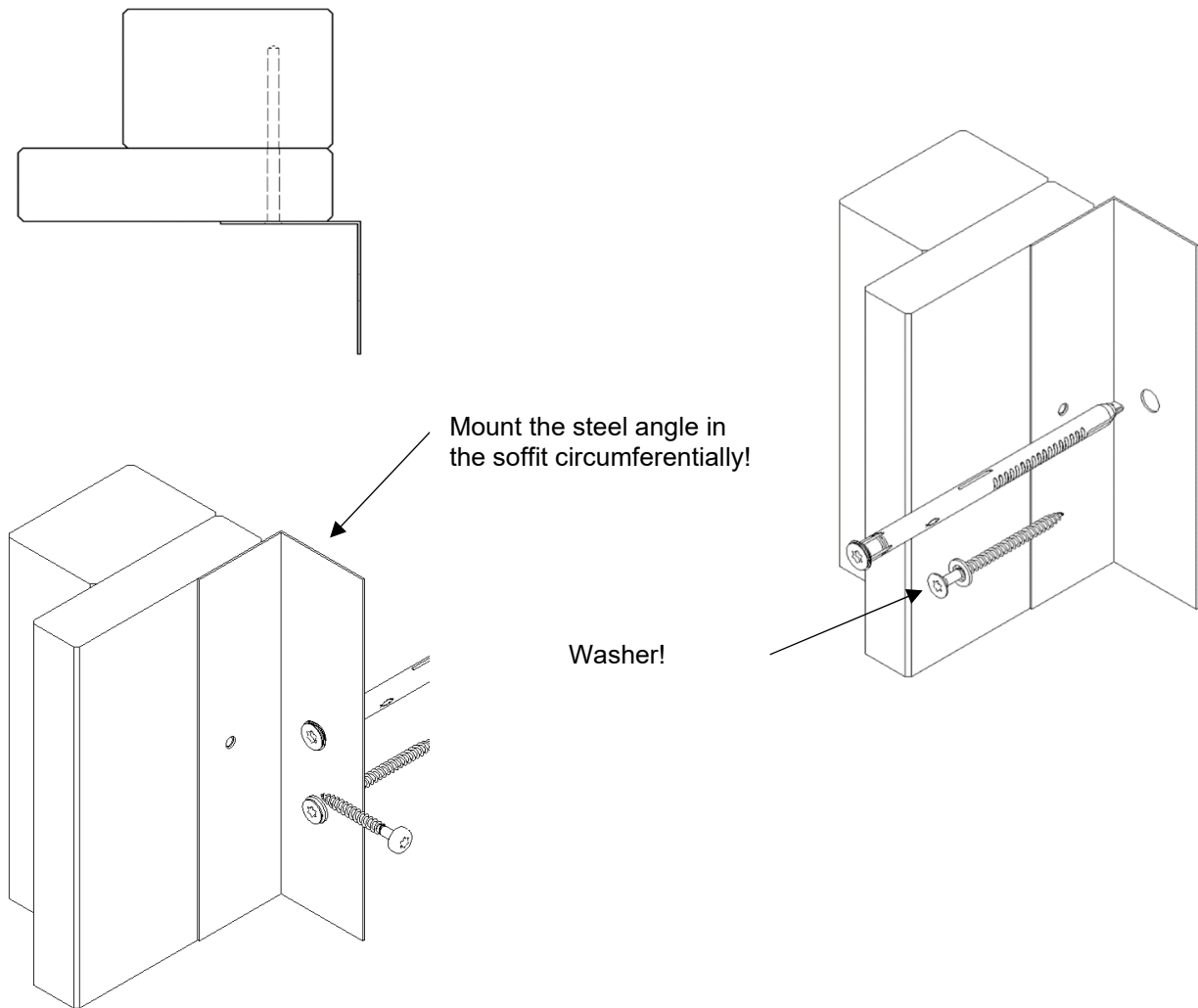
**All four corners of the frame must be fixed with blocks!**



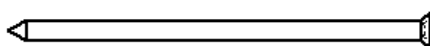
## Assembly with steel angle

The steel angle is screwed to the frame using panhead screws 4.5 x 50mm.

Holes with  $\varnothing$  3.5mm must be pre-drilled! Depth of pilot hole 2 mm deeper than screw-in depth of screw!



Solid wall fastening

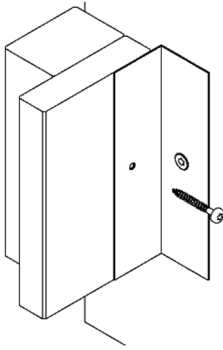


Countersunk screw + dowel

The figures show optional accessories!

## Installation details in different wall types

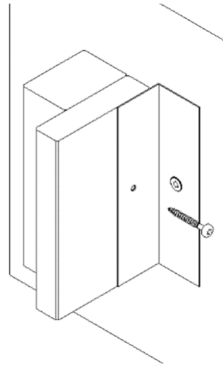
### Installation in solid wall (flush)



Screwing by means of dowels according to approval!

Use non-flammable underlay material, not included in delivery on site.

### Installation in solid wall (in the centre of the soffit)



Screwing by means of dowels according to approval!

Use non-flammable underlay material, not included in delivery on site.

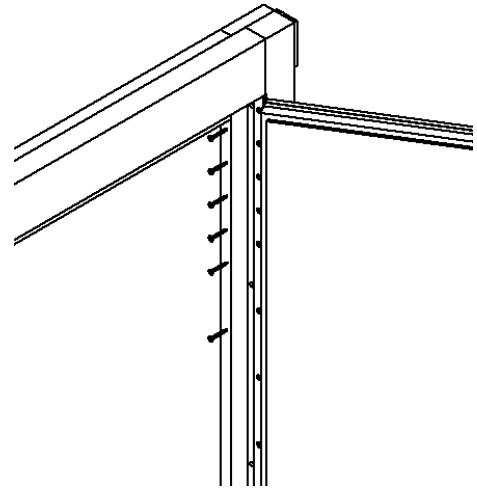
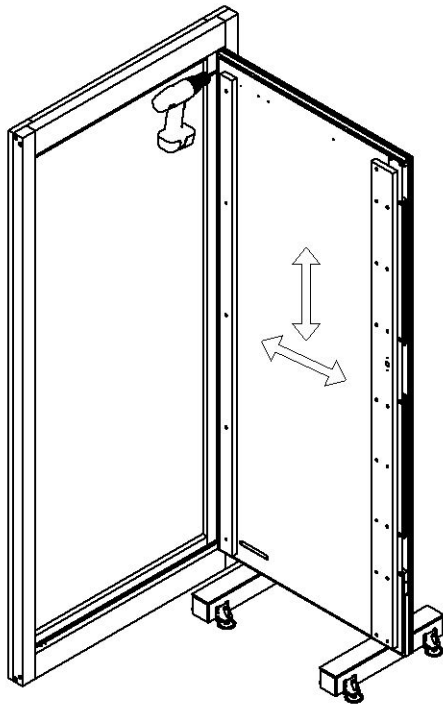


Always install flush and level!

## Installation and removal of the door leaf

### Door hinge

- Inserting the door leaf



Use all pre-drilled screw connection points!

Screwing by means of countersunk screws 4.5x35mm

To insert the door leaf, substructure the door leaf, ideally the substructure should be adjustable, e.g. with adjustable feet, mounting pads or wedges. Open the door leaf so far that the screw connections of the hinge band are easily accessible. Start screwing in the screws from top to bottom. Avoid overtightening the screws! Consider the heavy weight of the door leaf! Carry out this work with at least two people.

- Removal of the door leaf

The door leaf is removed in the same way as the door leaf is inserted, in reverse order.

## Removal and installation of the profile cylinder

Necessary tools:

Screwdriver and key for the profile cylinder

If a key is no longer available, the cylinder must be drilled out

### 1. Removing the profile cylinder

The profile cylinder is held in place by a forend screw which is located in the forend of the lock at the height of the profile cylinder. Loosen the forend screw with a screwdriver and pull it out.

Insert the key into the profile cylinder and turn it to the right or left. Pull the key slightly while doing so. If the locking lug of the cylinder is in the correct position, the profile cylinder can be pulled out.

If the profile cylinder is stuck, loosen it by gently jiggling the profile cylinder.

If the profile cylinder is stuck, in most cases it is jammed on the lock: loosen (do not remove) the fastening screws of the forend and take out the profile cylinder.

### 2. Installing the profile cylinder

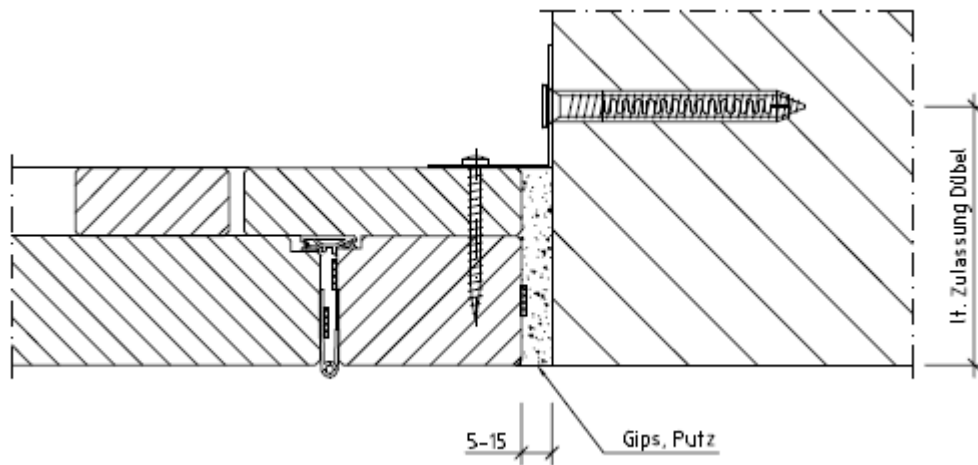
Insert the profile cylinder, turning the key to the left or right until the locking lug is in the correct position. Then tighten with the forend screw.

If the profile cylinder cannot be inserted, try to find the position of the opening in the lock by gently jiggling the profile cylinder.

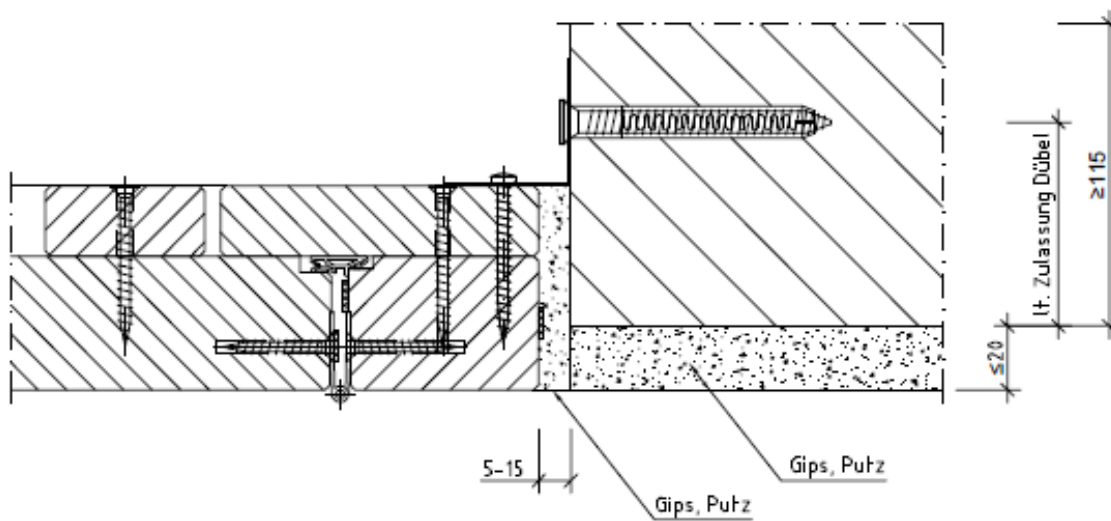
If it still cannot be inserted, loosen (but do not remove) the forend fixing screws and insert the profile cylinder. Then retighten the fixing screws of the forend.

## Flush mounting RTH

In solid wall



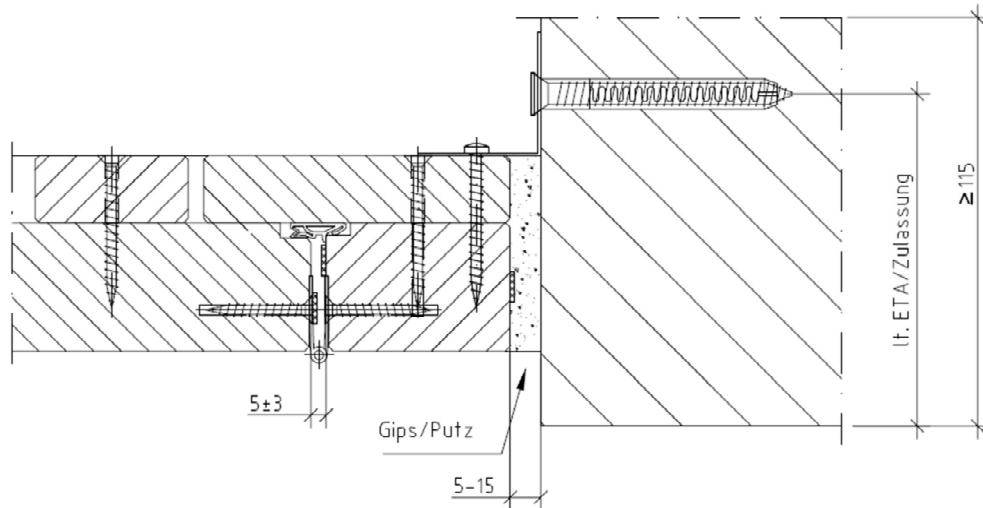
In solid wall



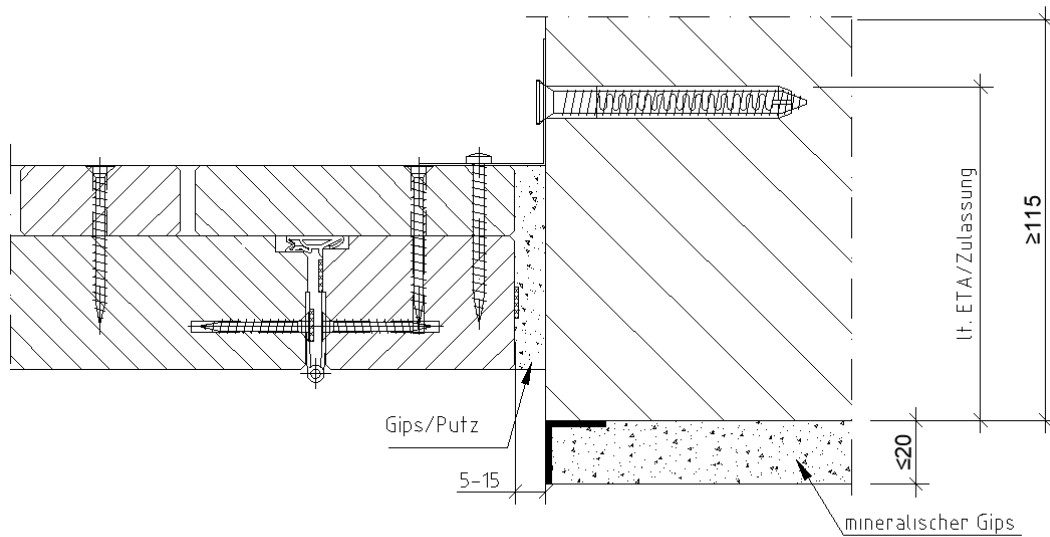


## Non-flush mounting RTH

In solid wall

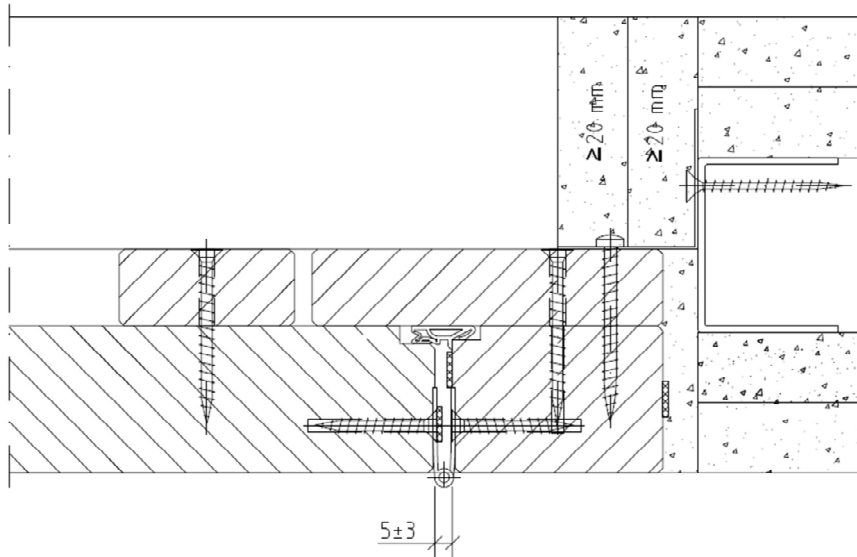


In solid wall

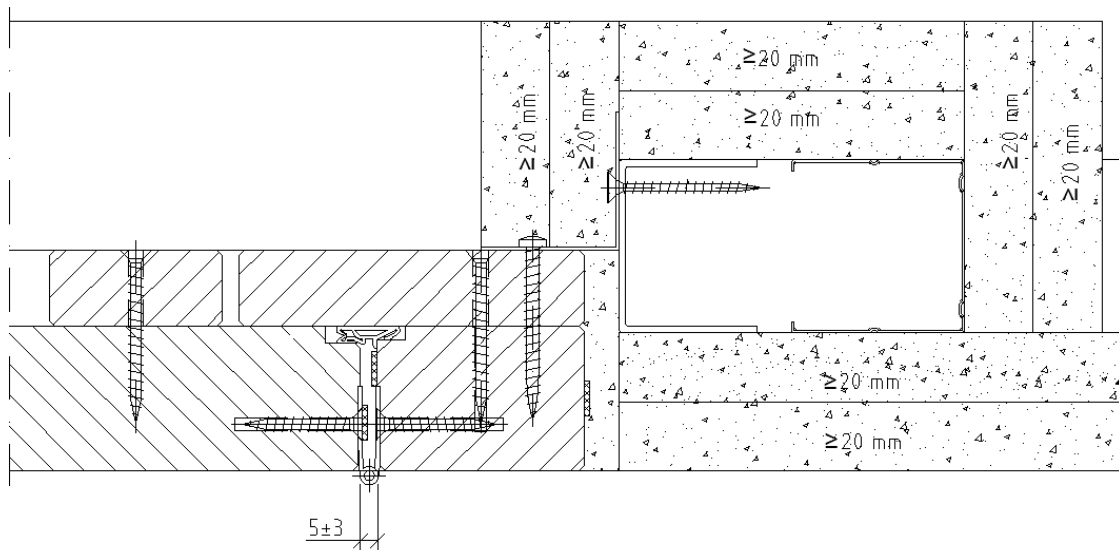


## Non-flush mounting RTH installation shaft

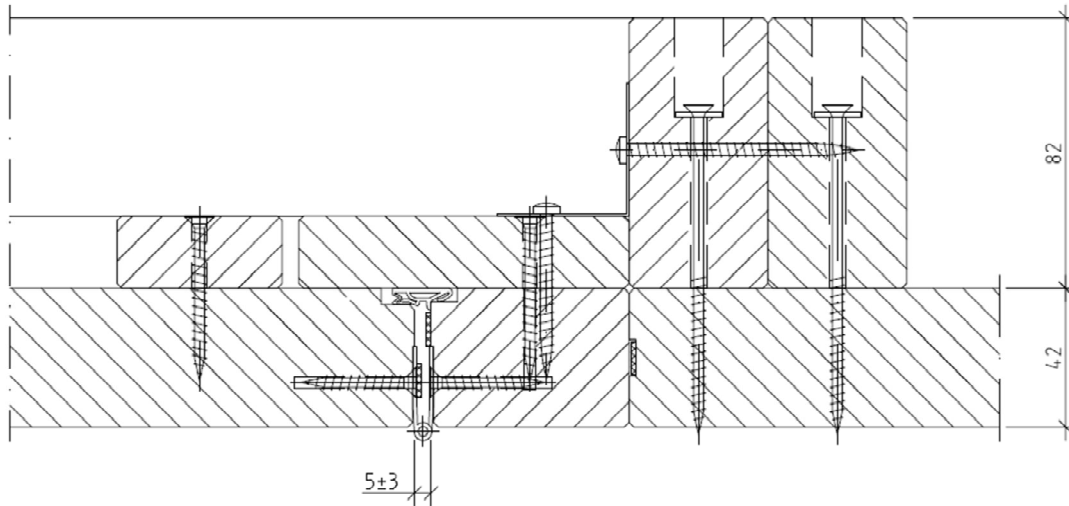
Execution in installation shafts of fire resistance class I 90 according to DIN 4102-4 made of walls of gypsum boards according to DIN 4102-4 of fire resistance class F 90-A as a minimum.



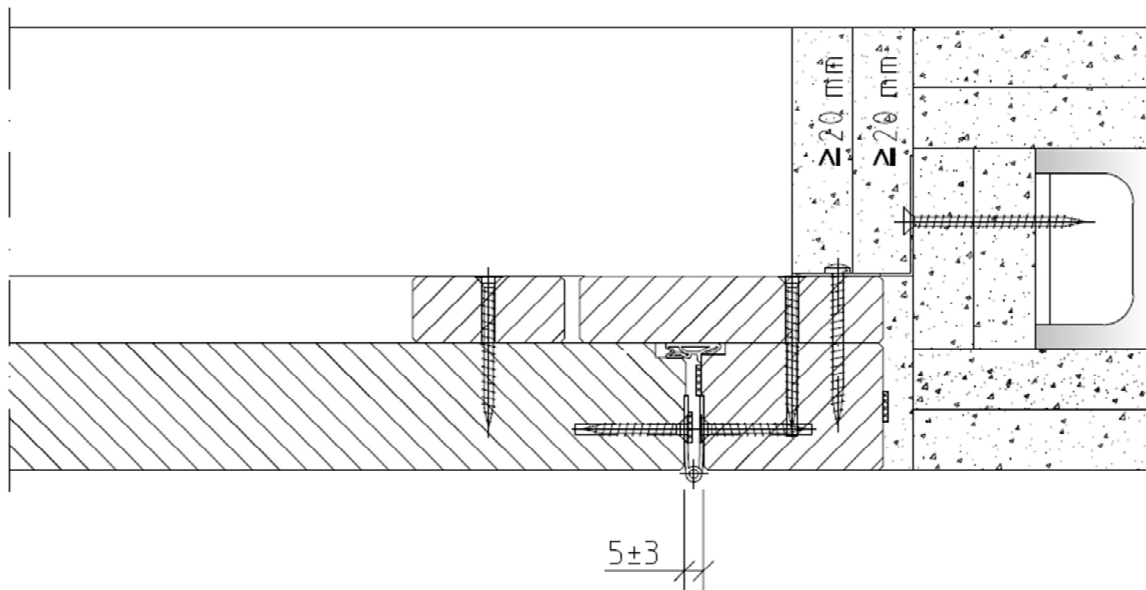
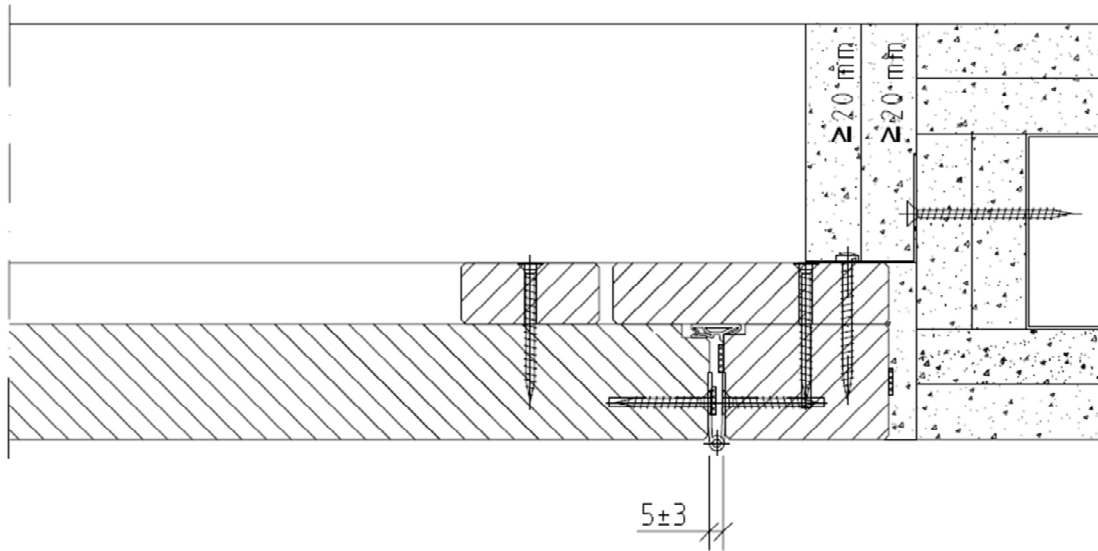
Execution in installation shafts of fire resistance class I 90 according to DIN 4102-4 made of walls with planking on one side according to the general building inspection test certificate.



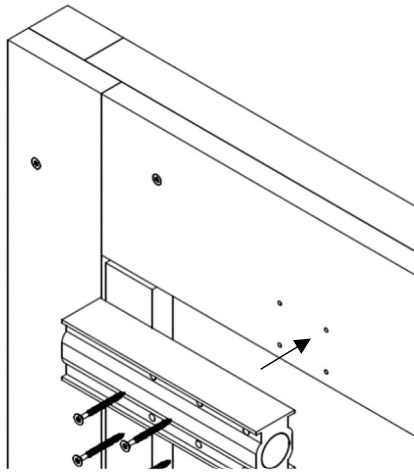
## Mounting RTH installation shaft PRIOWALL



## Mounting RTH clad steel component

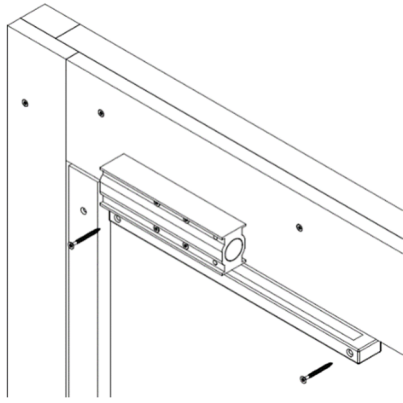
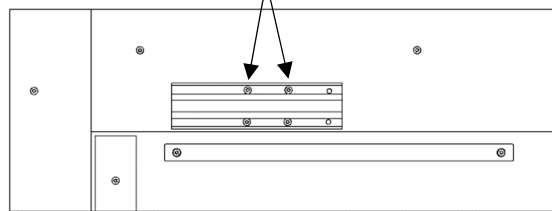


## Mounting door closer with slide rail



Screw the door closer into the pre-drilled screw connection points using countersunk screws 4.5x50 mm.

Use these screw connection points!

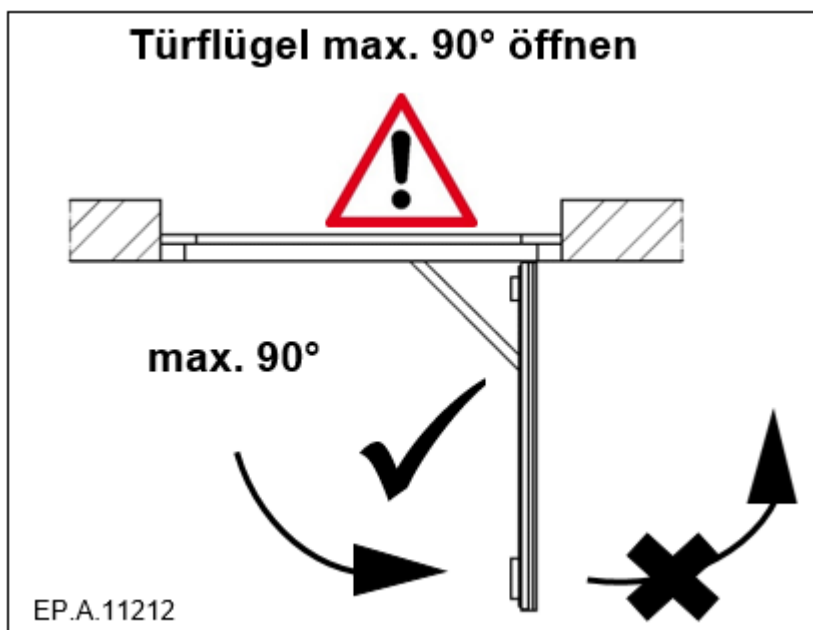


Screw the slide rail into the pre-drilled screw connection points using countersunk screws 4.5x50 mm.

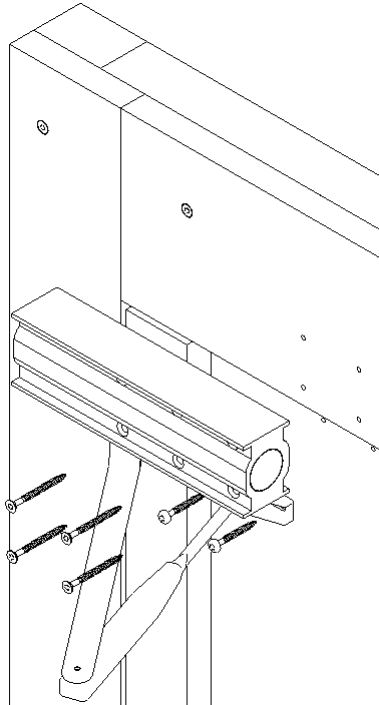
instructions!

Note: Mount the lever arm according to the manufacturer's

When mounted, open the door leaf only up to a maximum of 90°!



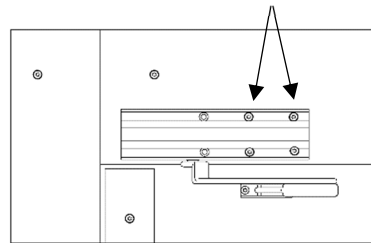
## Mounting door closer with standard arm



Mount the standard arm with the door closer according to the manufacturer's instructions.

Screw the door closer with the enclosed countersunk screws 4.5 x 50 mm and the standard arm with the enclosed mm panhead screws 4.5 x 35 in the pilot holes provided.

Use these screw connection points!



## Mounting door closer

1. Screw the base body for handle and collar into the pre-drilled screw connection points using the enclosed countersunk screws 4.5x30mm.
2. Press the collar onto the base body.
3. Connect square spindle with lever handle aperture part using grub screw
4. Insert the lever handle aperture part into the base body and press it in until it jams in the base body.

## Declaration of conformity RTH30

### Übereinstimmungserklärung

- Name und Anschrift des Unternehmers, das den **Revisionsöffnungsverschluss/ die Revisionsöffnungsverschlüsse** PRIODOOR RTH30 eingebaut hat:
  
- Bauvorhaben:
  
- Zeitraum des Einbaus  
des Revisionsöffnungsverschlusses/der Revisionsöffnungsverschlüsse:

Hiermit wird bestätigt, dass der **Zulassungsgegenstand/die Zulassungsgegenstände** hinsichtlich aller Einzelheiten fachgerecht und unter Einhaltung aller Bestimmungen der allgemeinen bauaufsichtlichen Zulassung Nr.: Z-6.55-2535 des Deutschen Instituts für Bautechnik sowie der Einbauanleitung, die der Antragsteller dieser Zulassung bereitgestellt hat, eingebaut wurde.

\_\_\_\_\_  
Ort, Datum

\_\_\_\_\_  
Firma/Unterschrift

(Diese Bescheinigung ist dem Bauherrn zur ggf. erforderlichen Weitergabe an die zuständige Bauaufsichtsbehörde auszuhändigen.)

EP.A.10992

## Declaration of conformity RTH90

### Übereinstimmungserklärung

- Name und Anschrift des Unternehmers, das den **Revisionsöffnungsverschluss/ die Revisionsöffnungsverschlüsse** PRIODOOR RTH90 eingebaut hat:
  
- Bauvorhaben:
  
- Zeitraum des Einbaus  
des Revisionsöffnungsverschlusses/der Revisionsöffnungsverschlüsse:

Hiermit wird bestätigt, dass der **Zulassungsgegenstand/die Zulassungsgegenstände** hinsichtlich aller Einzelheiten fachgerecht und unter Einhaltung aller Bestimmungen der allgemeinen bauaufsichtlichen Zulassung Nr.: Z-6.55-2536 des Deutschen Instituts für Bautechnik sowie der Einbauanleitung, die der Antragsteller dieser Zulassung bereitgestellt hat, eingebaut wurde.

\_\_\_\_\_  
Ort, Datum

\_\_\_\_\_  
Firma/Unterschrift

(Diese Bescheinigung ist dem Bauherrn zur ggf. erforderlichen Weitergabe an die zuständige Bauaufsichtsbehörde auszuhändigen.)

EP.A.10993



Notes